



GIOVENZANA

INTERNATIONAL B.V.



LIFT





GIOVENZANA
INTERNATIONAL B.V.



LIFT TECHNOLOGY

LIFT

Throughout the years, continuous technological research and development has made Giovenzana the undisputed leader in its field. The range of products includes:

- pit bottom push button stations
- recall drive control units
- inspection boxes

QUALITY

Giovenzana, leader in the elevator and lifting equipment field, has gained a prominent position in the automation sector with their launch of industrial control accessories into the market. For many years, all commercial and industrial operations have been integrated within the frame of the **UNI EN ISO 9001:2008** quality system.

CSQ certificate N 9105. GIOV.

Giovenzana has fulfilled its commitment to high quality of its products since 1995. Quality system is the end user's guarantee that all production stages are closely followed under strict control and adhere to the requirements set by the company both in terms of customer expectations and compliance to the relevant international standards as proved by the various certificates Giovenzana holds for its products.

With the **UNI EN ISO 14001:2004**, Giovenzana keeps up with new technologies in order to reduce raw materials consumption, energy and natural resources and to minimize waste and emissions in order to be environment friendly, Giovenzana products are in conformity to directives Rohs, Pfos, Raee and Reach. The certification CSQ N 9191. GIBV.

COMPLIANCE

All Giovenzana products are manufactured according to the most relevant Cee directives. Giovenzana certifies this compliance with a declaration of conformity.

CERTIFICATIONS

In order to reach its high quality level Giovenzana's products are tested by multiple third parties. In order to obtain the UL mark, Giovenzana submits their products to Underwriter Laboratories Inc., one of the most eminent independent certification companies in the World.

CEE DIRECTIVES

From January 1st, 1997 it is compulsory to CE mark all electromechanical products: this has been outlined by an important regulation: 2006/95/CE Low Voltage Directives.

CE MARK

European directives, applied to all national regulations, set the minimum requirements in term of safety of all electrical material sold within the EU.

Compliance to these requirements is certified to the manufacturer by the CE mark placed on the products.

STANDARDS

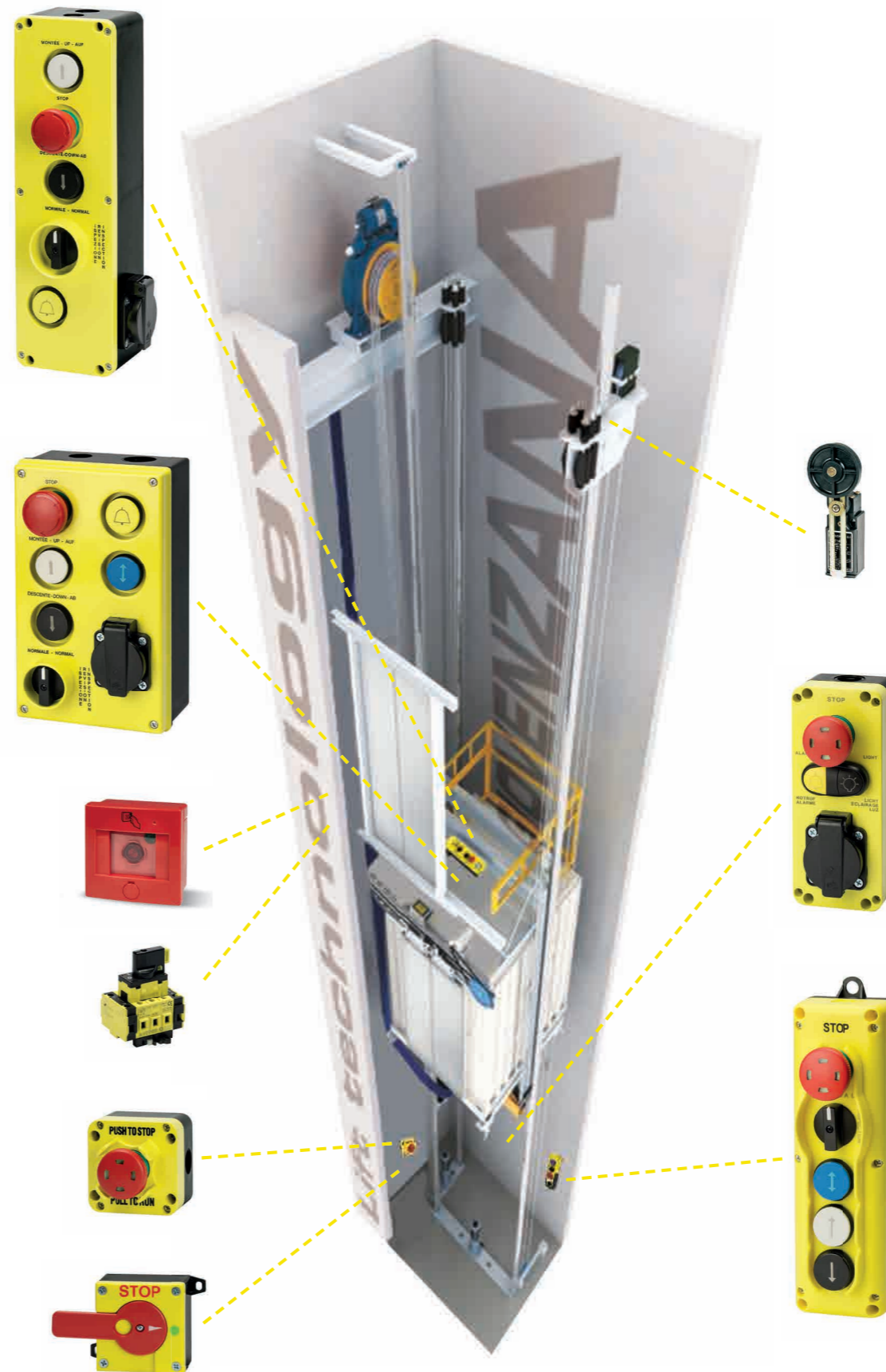
Giovenzana's products comply with both the European EN and the American UL standards.

These regulations, such as CEI EN 60204-1 (CEI 44-5) with regards to the safety requirements of the electrical circuits on board industrial machinery, define the characteristics, performance and use of the products.

EN EUROPEAN STANDARDS

The EN European standards are originated from IEC International standards and are the result of the collaboration between CENELEC (European Committee for Electrotechnical Standardization) member countries.

These standards cover and eliminate existing national standards that may be contradictory obsolete.



SPECIAL VERSION ON REQUEST

On demand we are in condition to meet customers specials enquires developping customers plans:

- Push buttons design meeting standard rules and special symbology
- Cabled and wired as customers electrical diagrams
- With or without feeding connectors
- Execution with special support and metal brackets
- PCB conductive plans

INDEX

The innovation	pag. 4
EN 81.20	pag. 6
Pit bottom and recall drive control units	pag. 8
GM Series	pag. 10
GM Series special for scenic lift	pag. 29
GM Series for escalator	pag. 30
Complementary products for escalator	pag. 31
TLP Series	pag. 32
Accessories	pag. 38
Complementary products	pag. 40
Dimensions-technical drawings GM Series	pag. 44
Dimensions-technical drawings TLP Series	pag. 55

THE INNOVATION

Giovenzana International B.V., widely recognized as a leader in elevator technology and the name that operators associate with security and quality, has created the **new GM series** of inspection boxes (complies with International Standard EN 81.20 and EN 81.50).

The ergonomic design ensures **maximum operator safety**. Giovenzana has applied its new design philosophy which incorporates these rules:

- Mushroom stopping device in accordance with IEC / EN 60947-5-5
- Mandatory Run button
- Operators are protected against accidental impacts at all times
- Cam switch (not selector) binding to the norm for inspection operation with solid drive and without margin of error in the switching
- Contact blocks with spring clamp conform to EN 60068-2-6 and EN 60068-2-27 and vibration resistant with IP20 degree of protection
- AC-15 and DC-13 contact blocks in accordance with EN 60947-5-1:2005 (1M cycles)

Giovenzana designs and implements safety components for the world's major chain lift manufacturers.



Giovenzana International B.V. has developed in accordance with CEI EN 60204-1 a **new technology in the field of industrial and lift automation**. The product is designed to maximize the performance of the **NC mushroom e-stop contact** which results in a risk factor of zero.

The NC contact will open in the event of accidental release of the contact block from the base. In the unlikely event of one of the supports breaking the contact is designed to intervene and open the circuit which will block any further operation of the machine.

This is an important step in accident prevention and emergency device intervention.



PCWO1FT
Product data sheet

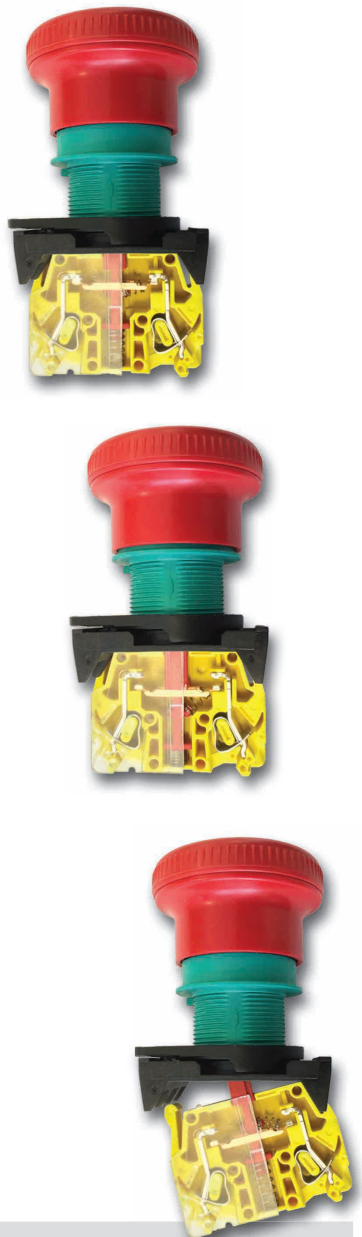
Contact block:

- Product designation
- Contact type
- Number of NC contacts/for auxiliary contacts
- Number of NO contacts/for auxiliary contacts
- Number of changeover contacts/for auxiliary contacts
- Product function /positive opening ⊕
- Design of the electrical connection

General technical details:

- Degree of pollution CEI EN 60204-1
- Fuse rating
- Thermal current Ith/Ithe
- Type of voltage/of the operating voltage
- Item designation according
- Ambient temperature *during operating* *during storage*
- Protection type IP *of the terminal* *of the enclosure*
- Connections: Flex cable / Solid cable n.2 min/max mm²
- Frequency
- Insulation voltage/rated value
- Impulse voltage resistance/rated value
- Type of mounting

Fast trigger contact block
Double gap
1
0
0
Yes
Spring terminals
Class 3
gG 10x38 16A
16 A
AC/DC
EN 60947-5-1:2005
°C -25 ... +70
°C -30 ... +70
IP20
IP40
1,5-2,5
50/60 Hz
690 V
4 kV
Front mounting



AC-14		AC-15		DC-13		DC-14	
Ue (V)	Ie (A)	Ue (V)	Ie (A)	Ue (V)	Ie (A)	Ue (V)	Ie (A)
24	16	24	10	12	2	12	12
--	--	60	4	24	2	--	--
--	--	110	4	48	2	--	--
--	--	240	4	110	0,4	--	--
--	--	400	4	250	0,4	--	--
--	--	440	4	--	--	--	--
--	--	500	4	--	--	--	--
--	--	690	2	--	--	--	--

EN 81.20

In order to facilitate **inspection and maintenance**, a readily operable station should be permanently installed:

- a) On the car roof;
- b) In the pit;
- c) In the car (if there are areas of work in the car);
- d) On a platform (if there are areas of work on the platform).

The **inspection control station** should consist of:

- a) A switch (inspection operation switch) which should satisfy the requirements for electric safety devices. It is supposed to be bi-stable, shall be protected against involuntary operation;
- b) Direction push buttons "UP" and "DOWN" protected against accidental operation; clear indications of movement direction;
- c) A push button "RUN" protected against accidental operation;
- d) A stopping device.

The control station may also incorporate special switches protected against accidental operation for controlling the doors mechanism from the car roof. The inspection control station should have a minimum degree of protection of IPXXD (EN 60529).

Return to normal operation of the lift

The return to normal operation of the lift should only be effected by switching the inspection operation switch(es) back to normal. Additionally return to normal operation of the lift from pit inspection station should only be made under following conditions:

- a) Landing doors giving access to the pit are closed and locked;
- b) All stopping devices in pit are inactive;
- c) Electrical reset device outside the well is operated:
 1. In conjunction of emergency unlocking key of the door giving access to the pit, or
 2. Accessible to authorised personnel only, e. g. inside a locked cabinet located close to the door giving access to the pit.

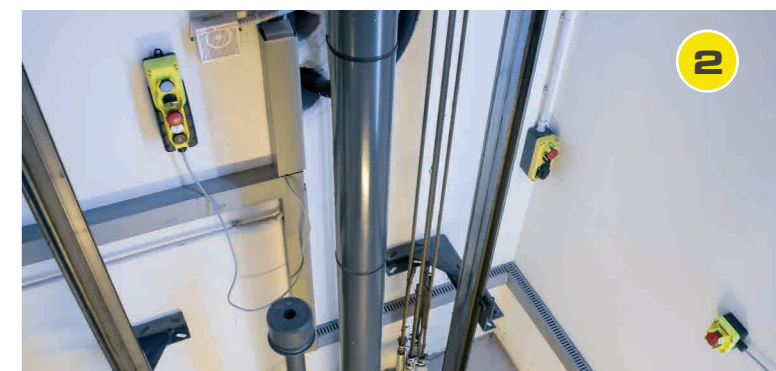
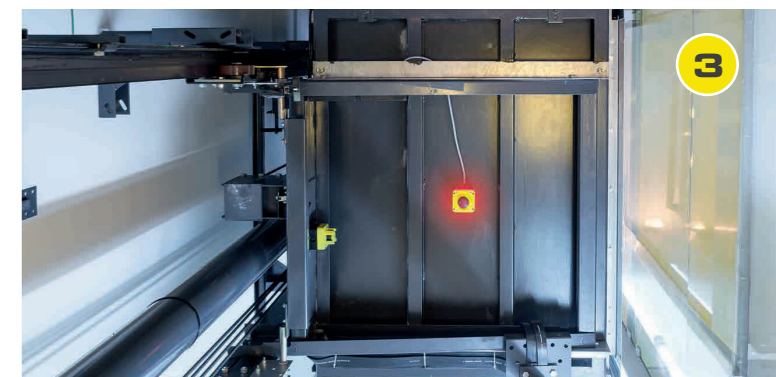
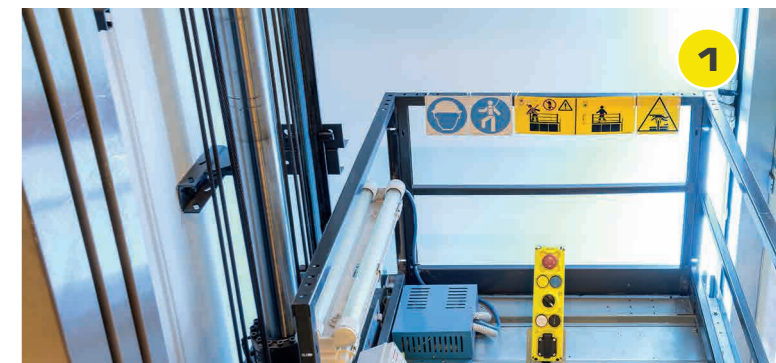
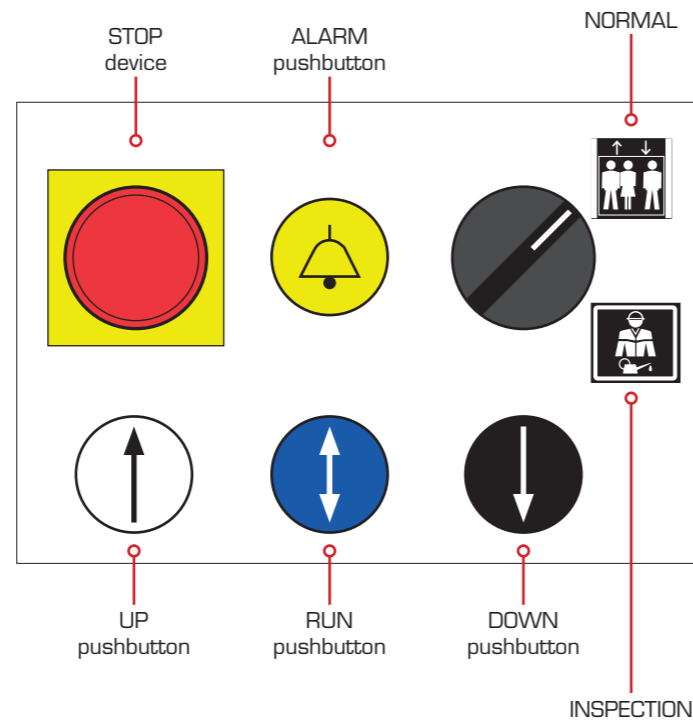
Precautions should be taken to prevent all involuntary movement of the car in the event of inspection operation.

The car movement in inspection operation should depend uniquely on constant pressure on a direction and the "RUN" push-button. It should be possible to operate the "RUN" button and a direction button with one hand simultaneously.

The **inspection operation electric safety device** should be bypassed by one of the following solutions:

- a) A series connection of a direction and the "RUN" push-button. These push buttons shall belong to the following categories as defined in EN 60947-5-1:2005:
 - AC-15 for safety contacts in A.C. circuits
 - DC-13 for safety contacts in D.C. circuits
 The durability should be at least 1.000.000 operating cycles mechanical and electrical related to the applied load.
- b) An electric safety device which is monitoring correct operation of direction and "RUN" push buttons.

Colors and Design Symbols



PIT BOTTOM, RECALL DRIVE CONTROL UNITS AND EN81 INSPECTION BOXES

Pit bottom push button stations, recall drive control units and EN81 inspection boxes with max 11 functions.

Connection by spring or wired on the printed circuit European specification EN 81.20 and EN 81.50 "Safety rules for the build and for lift plant" and Nord America CSA - B44.1/ASME-A17.5 "Elevator and Escalator Electrical Equipment", resistance to vibrations and impacts as EN 60068-2-6, EN 60068-2-27, EN 60068-2-2.

The components are made in conformity to **IMQ**, **CCC**, **GOST-R** e **UL** Certifications.

GENERAL CHARACTERISTICS

The products have European EN 81.20 and 81.50, North America CSA - B44.1 / ASME - A17.5 specifications and are meeting all safety requirements. The components are made in fully accordance with standard product norms **IEC 947-3**, **IEC 947-5-1**, **EN 60947-3**, **EN 60947-5-1**, **UL 508**, **IEC 204-1**, **EN 60204-1**, **EN ISO 13850** and in conformity to directives: **RoHS**, **PFOS**, **RAEE**, **REACH**.
 With over 70 years experience in this field, Giovenzana International B.V., European market leader in the lift equipment electrical devices, made a wide range of standard products for all installation requirements with actual specification and safety guidelines.

The Lift products series are classified as:

- Pit bottom stations - Recall drive control units - Car top inspection boxes beyond the standard versions are available a wide range of specials products and customizable meeting customers technical needs.
- In conformity to EN 81.20, EN 81.50, CSA-B44.1/ASME-A17.5, EN ISO 13850, SIL1 and SIL2 (pending)
- CSA approved
- Enclosures made of self extinguishing thermoplastic material
- Protection class EN 60529: NEMA 4X, IP65 w/ot socket , with socket IP54, terminal connections IP20
- Vibration resistance as EN 60068-2-26 and EN 60069-2-27
- Shocks resistance as EN 60068-2-29
- Connections: spring clamp contacts for push buttons, mushrooms, screws terminals for cam switches, buzzers and socket outlets
- Ambient temperature: operating -25° + 70°C, storage -30° + 70°C

ELECTRICAL CHARACTERISTICS	
In conformity to standard rules	
Approvals	
Rated insulation voltage U_i	V
Rated impulse withstand voltage U_{imp}	kV
Rated thermal current I_{th}/I_{the}	A
Frequency	Hz
Rated operating current I_e :	V
AC - 15 alternate current	A
DC - 13 direct current	V
AC - 21A - AC - 22A alternate current	A
Conditional short circuit withstand current	A
Fuse rating gG	A
Switching mechanism	
Positive	Contact blocks NC positive open ⊕ *
Screws and clamps	
Connections: Flex cable and solid cable n. 1 min/max mm ²	0,5/2,5
n. 2 min/max mm ²	0,5/2,5
AWG	20-12
UL508 characteristics: General use	
Standard motors load	10A 600V AC - 2,5A 125V DC
single phase - 2 poles	-
3 phases - 3 poles	-
Heavy Duty (HD) category	A600 - Q600

CONTACT BLOCKS	CAM SWITCHES
IEC/EN 60947-5-1, UL508	IEC/EN 60947-3, UL508
IMQ, CCC, EAC, UL, RINA	
690	690
4	4
16	20/16
50/60	50/60
24 60 110 240 400 500 690	-
10 8 6 5 4 4 2	-
24 48 60 110 250	-
2 2 1 0,4 0,4	-
-	16A-690V
1000	5000
10A - 500V	20A - 690V
slow break double gap contacts	
Contact blocks NC positive open ⊕ *	Positive open ⊕ *
Spring clamp connection	M3,5
0,5/2,5	0,75/4
0,5/2,5	0,75/2,5
20-12	16-12
10A 600V AC - 2,5A 125V DC	16A 600V AC
-	1HP (16FLA) 120V AC
-	1,5HP (10FLA) 240V AC
-	3HP (14,4FLA) 200V AC
-	5HP (15,2FLA) 240V AC
-	7,5HP (11FLA) 480V AC
-	7,5HP (9FLA) 600V AC
A600 - Q600	-



* Suitable for use as switch disconnector 0-1 90° 2-3-4 poles

CAR TOP, PIT BOTTOM INSPECTION STATIONS - GM Series
Modular configuration example

ELECTRICAL SOCKET

Europe
USA
France
UK
Switzerland
Australia
China

KNOB GUARD

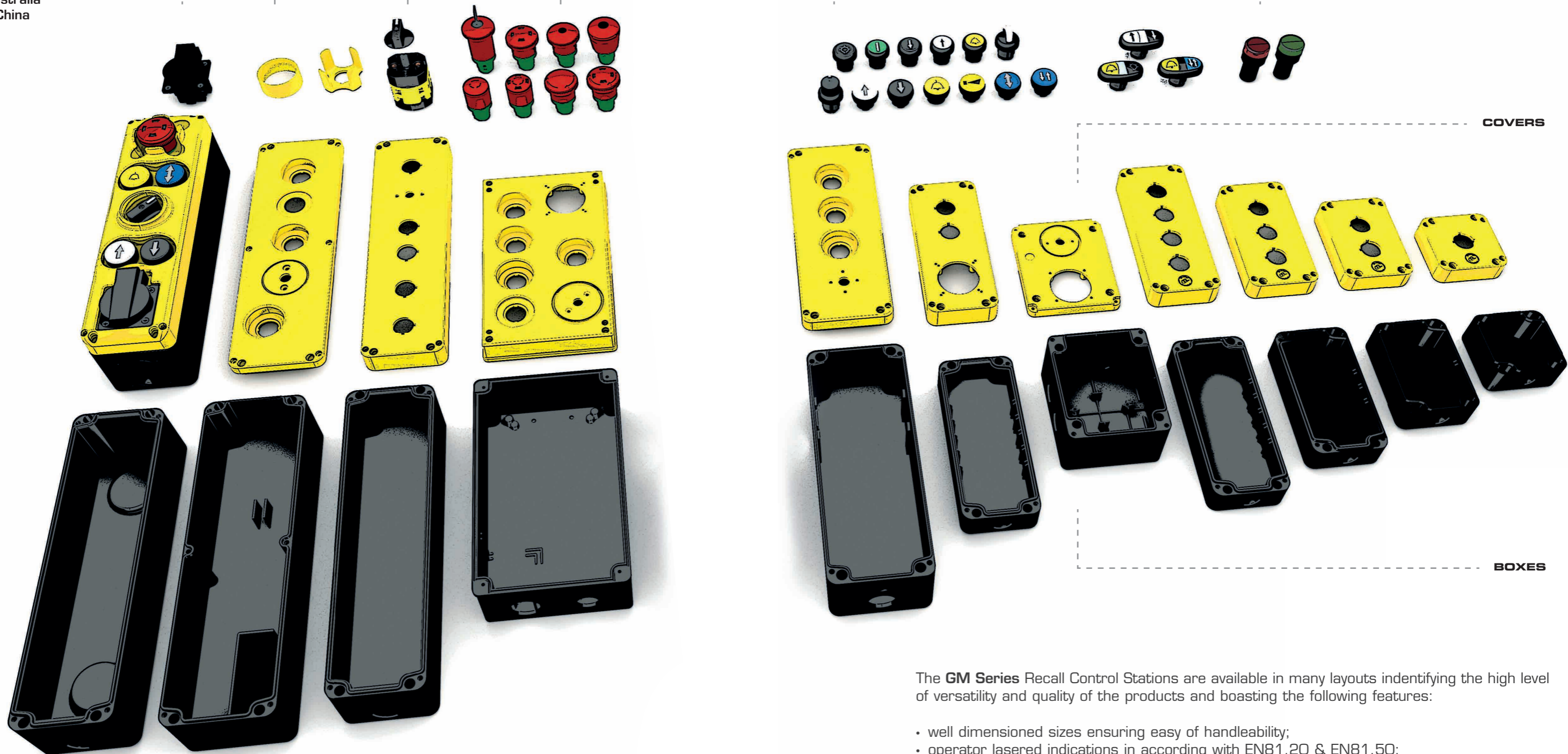
CAM SWITCH

STOPPING DEVICES

PUSH BUTTONS - SELECTORS - LED LIGHTS

COVERS

BOXES



The **GM Series** Recall Control Stations are available in many layouts identifying the high level of versatility and quality of the products and boasting the following features:

- well dimensioned sizes ensuring easy of handleability;
- operator lasered indications in according with EN81.20 & EN81.50;
- the used materials have made Giovenzana a widely recognized point of reference of the field
- the used contact elements of PCW serie (according to EN 60068-2-6 and EN 60068-2-27) make easier and faster all the electrical connections

PIT BOTTOM, RECALL DRIVE CONTROL UNITS AND CAR TOP INSPECTION BOXES - GM Series

GMO1FN3 IP65
GMO1RN3A
GMO1RN3A.1A



DESCRIPTION	SCHEME
Alarm push button station CE 95/16	
Push button Ø 40 momentary (GMO1FN3)	
Flush push button Ø 40 momentary (GMO1RN3A)	
Flush push button Ø 40 momentary (GMO1RN3A.1A)	

CONTACT BLOCKS
Rated operating voltage Ue [V]: 690
Rated insulation voltage Ui [V]: 690
Rated impulse withstand voltage Uimp [kV]: 4
Rated thermal current Ith [A]: 16
Rated thermal current Ithe [A]: 16
Frequency [Hz]: 50/60
Rated operating current: AC 15 – DC 13

GM355 IP65

DESCRIPTION	SCHEME
Pit bottom switch with knob Ø 35	
Cam switch 0-1 90° switching 2NO	

CAM SWITCHES
Rated operating voltage Ue [V]: 690
Rated insulation voltage Ui [V]: 690
Rated impulse withstand voltage Uimp [kV]: 4
Rated thermal current Ith [A]: 20
Rated thermal current in enclosure Ithe [A]: 16
Frequency [Hz]: 50/60



GMO1P4NP - GMO1P4SP IP65
GMO1R4NP - GMO1R4N



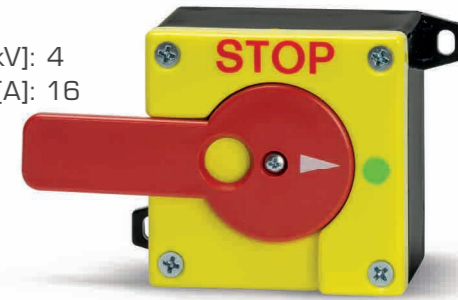
DESCRIPTION	SCHEME
E-stop push button station EN ISO 13850	
Mushroom Ø 40 push-pull with 4 sectors shock protected 1NO-1NC (GMO1P4NP - GMO1P4SP)	
Mushroom Ø 40 push-pull with 4 sectors shock protected 1NC (GMO1R4NP - GMO1R4N)	

CONTACT BLOCKS
Rated operating voltage Ue [V]: 690
Rated insulation voltage Ui [V]: 690
Rated impulse withstand voltage Uimp [kV]: 4
Rated thermal current Ith [A]: 16
Rated thermal current Ithe [A]: 16
Frequency [Hz]: 50/60
Rated operating current: AC 15 – DC 13

GM354 IP65
GM356

DESCRIPTION	SCHEME
Pit switch	
With handle locked in stop position - 1NO (GM354)	
With handle locked in stop position - 2NO (GM356)	

CAM SWITCHES
Rated impulse withstand voltage Uimp [kV]: 4
Rated thermal current in enclosure Ithe [A]: 16
Rated thermal current Ith [A]: 20
Rated operating voltage Ue [V]: 690
Rated insulation voltage Ui [V]: 690
Frequency [Hz]: 50/60



GM353 IP65



DESCRIPTION	SCHEME
Pit bottom switch with knob Ø 35	
Cam switch 0-1 90° switching 1NO	

CAM SWITCHES
Rated operating voltage Ue [V]: 690
Rated insulation voltage Ui [V]: 690
Rated impulse withstand voltage Uimp [kV]: 4
Rated thermal current Ith [A]: 20
Rated thermal current in enclosure Ithe [A]: 16
Frequency [Hz]: 50/60

GM092 IP65

DESCRIPTION	SCHEME
Door opener control station	
Cam switch 1 - 0 - 2 spring return to the center	

CAM SWITCHES
Rated operating voltage Ue [V]: 690
Rated insulation voltage Ui [V]: 690
Rated impulse withstand voltage Uimp [kV]: 4
Rated thermal current Ith [A]: 20
Rated thermal current in enclosure Ithe [A]: 16
Frequency [Hz]: 50/60



PIT BOTTOM, RECALL DRIVE CONTROL UNITS AND CAR TOP INSPECTION BOXES - GM Series

GM406/EU

IP54 □



DESCRIPTION	SCHEME	CONTACT BLOCKS
Emergency stop EN ISO 13850 mushroom Ø 40 push-pull with vision:		Rated operating voltage Ue [V]: 690 Rated insulation voltage Ui [V]: 690 Rated impulse withstand voltage Uimp [kV]: 4 Rated thermal current Ith [A]: 16 Rated thermal current Ithe [A]: 16 Frequency [Hz]: 50/60 Rated operating current: AC 15 – DC 13
1 Schuko socket outlet 16A		
1 Cenelec socket outlet		GM407
1 USA socket outlet		GM408
1 Swiss socket outlet		GM408/SW
1 UK standard socket outlet		GM408/UK
1 Australia-China socket outlet		GM408/CH

GM403A

IP54 □



DESCRIPTION	SCHEME	CONTACT BLOCKS
Emergency stop EN ISO 13850 mushroom Ø 40 push-pull with vision:		Rated operating voltage Ue [V]: 690 Rated insulation voltage Ui [V]: 690 Rated impulse withstand voltage Uimp [kV]: 4 Rated thermal current Ith [A]: 16 Rated thermal current Ithe [A]: 16 Frequency [Hz]: 50/60 Rated operating current: AC 15 – DC 13
1 knob selector 0 - 1 to 90°		
1 Schuko socket outlet 16A		
1 Cenelec socket outlet		GM403/FR
1 USA socket outlet		GM403/US
1 Swiss socket outlet		GM403/SW
1 UK standard socket outlet		GM403/UK
1 Australia-China socket outlet		GM403/CH

GM401

IP54 □



DESCRIPTION	SCHEME	CONTACT BLOCKS
Emergency stop EN ISO 13850 mushroom Ø 40 push-pull with vision:		Rated operating voltage Ue [V]: 690 Rated insulation voltage Ui [V]: 690 Rated impulse withstand voltage Uimp [kV]: 4 Rated thermal current Ith [A]: 16 Rated thermal current Ithe [A]: 16 Frequency [Hz]: 50/60 Rated operating current: AC 15 – DC 13
1 Alarm push button - 1NO		
1 Schuko socket outlet 16A		
1 Cenelec socket outlet		GM401/FR
1 USA socket outlet		GM401/US
1 Swiss socket outlet		GM401/SW
1 UK standard socket outlet		GM401/UK
1 Australia-China socket outlet		GM401/CH

GM421

IP54 □



DESCRIPTION	SCHEME	CONTACT BLOCKS
Emergency stop EN ISO 13850 mushroom Ø 40 push-pull with vision:		Rated operating voltage Ue [V]: 690 Rated insulation voltage Ui [V]: 690 Rated impulse withstand voltage Uimp [kV]: 4 Rated thermal current Ith [A]: 16 Rated thermal current Ithe [A]: 16 Frequency [Hz]: 50/60 Rated operating current: AC 15 – DC 13
1 Alarm lighted push button - 1 NO		
1 Cenelec socket outlet		
1 Schuko socket outlet 16A		GM421/EU
1 USA socket outlet		GM421/US
1 Swiss socket outlet		GM421/SW
1 UK standard socket outlet		GM421/UK
1 Australia-China socket outlet		GM421/CH

PIT BOTTOM, RECALL DRIVE CONTROL UNITS AND CAR TOP INSPECTION BOXES - GM Series

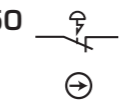
GM491

IP54

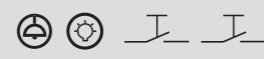


DESCRIPTION **SCHEME**

Emergency stop EN ISO 13850 mushroom Ø 40 push-pull with vision:



1 dual push button Alarm - Light 1NO+1NO



1 Schuko socket outlet 16A



1 Cenelec socket outlet



1 USA socket outlet



1 Swiss socket outlet



1 UK standard socket outlet



1 Australia-China socket outlet



CONTACT BLOCKS

Rated operating voltage U_e [V]: 690
Rated insulation voltage U_i [V]: 690
Rated impulse withstand voltage U_{imp} [kV]: 4
Rated thermal current I_{th} [A]: 16
Rated thermal current I_{the} [A]: 16
Frequency [Hz]: 50/60
Rated operating current: AC 15 – DC 13

GM492

GM492/US

GM492/SW

GM492/UK

GM492/CH

GM092BYPASS

IP65

DESCRIPTION **SCHEME**

Landing and car door bypass device

Cam switch 1 - 2



CAM SWITCHES

Rated operating voltage U_e [V]: 690
Rated insulation voltage U_i [V]: 690
Rated impulse withstand voltage U_{imp} [kV]: 4
Rated thermal current I_{th} [A]: 20
Rated thermal current in enclosure I_{the} [A]: 16
Frequency [Hz]: 50/60



GM419

IP65



DESCRIPTION **SCHEME**

Buzzer AC/DC 12-24V with:



1 Red led Light



AC/DC 24V

1 Green led light



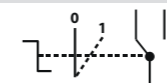
AC/DC 24V

GM243

IP54

DESCRIPTION **SCHEME**

Cam switch 0-1 90° switching with:



1 Schuko socket outlet 16A



CAM SWITCHES

Rated operating voltage U_e [V]: 690
Rated insulation voltage U_i [V]: 690
Rated impulse withstand voltage U_{imp} [kV]: 4
Rated thermal current I_{th} [A]: 20
Rated thermal current in enclosure I_{the} [A]: 16
Frequency [Hz]: 50/60

1 Cenelec socket outlet



GM243/FR

1 USA socket outlet



GM243/US

1 Swiss socket outlet



GM243/SW

1 UK standard socket outlet



GM243/UK

1 Australia-China socket outlet



GM243/CH

GM219

IP65



DESCRIPTION **SCHEME**

Advising LED lights AC/DC 12-24V with:

1 Green led Light



AC/DC 24V

1 Red led light



AC/DC 24V



PIT BOTTOM, RECALL DRIVE CONTROL UNITS AND CAR TOP INSPECTION BOXES - GM Series

GM483

IP65



DESCRIPTION

Green LED 24V AC/DC with:

SCHEME



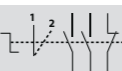
1 Up push button - 1NO



1 Down push button - 1NO



1 Cam switch 1-2
90° switching - 2NO + 2NC



CAM SWITCHES

Rated operating voltage U_e [V]: 690
Rated insulation voltage U_i [V]: 690
Rated impulse withstand voltage U_{imp} [kV]: 4
Rated thermal current I_{th} [A]: 20
Rated thermal current in enclosure I_{the} [A]: 16
Frequency [Hz]: 50/60

CONTACT BLOCKS

Rated operating voltage U_e [V]: 690
Rated insulation voltage U_i [V]: 690
Rated impulse withstand voltage U_{imp} [kV]: 4
Rated thermal current I_{th} [A]: 16
Rated thermal current I_{the} [A]: 16
Frequency [Hz]: 50/60
Rated operating current: AC 15 – DC 13

GM442N

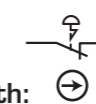
IP65



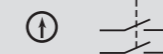
DESCRIPTION

**Emergency stop EN ISO 13850
Ø 40 twist to release with:**

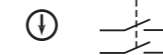
SCHEME



1 Up push button - 2NO



1 Down push button - 2NO



1 Cam switch 1-0-2
90° switching - 2NO + 2NC



CAM SWITCHES

Rated operating voltage U_e [V]: 690
Rated insulation voltage U_i [V]: 690
Rated impulse withstand voltage U_{imp} [kV]: 4
Rated thermal current I_{th} [A]: 20
Rated thermal current in enclosure I_{the} [A]: 16
Frequency [Hz]: 50/60

CONTACT BLOCKS

Rated operating voltage U_e [V]: 690
Rated insulation voltage U_i [V]: 690
Rated impulse withstand voltage U_{imp} [kV]: 4
Rated thermal current I_{th} [A]: 16
Rated thermal current I_{the} [A]: 16
Frequency [Hz]: 50/60
Rated operating current: AC 15 – DC 13

GM488

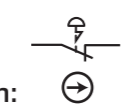
IP65



DESCRIPTION

**Emergency stop EN ISO 13850
Ø 30 twist to release with:**

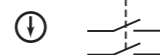
SCHEME



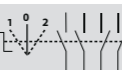
1 Up push button - 2NO



1 Down push button - 2NO



1 Cam switch 1-0-2
90° switching - 2NO + 2NC



CAM SWITCHES

Rated operating voltage U_e [V]: 690
Rated insulation voltage U_i [V]: 690
Rated impulse withstand voltage U_{imp} [kV]: 4
Rated thermal current I_{th} [A]: 20
Rated thermal current in enclosure I_{the} [A]: 16
Frequency [Hz]: 50/60

CONTACT BLOCKS

Rated operating voltage U_e [V]: 690
Rated insulation voltage U_i [V]: 690
Rated impulse withstand voltage U_{imp} [kV]: 4
Rated thermal current I_{th} [A]: 16
Rated thermal current I_{the} [A]: 16
Frequency [Hz]: 50/60
Rated operating current: AC 15 – DC 13

GM444N

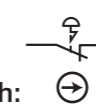
IP65



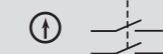
DESCRIPTION

**Emergency stop EN ISO 13850
Ø 40 twist to release with:**

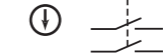
SCHEME



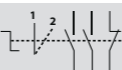
1 Up push button - 2NO



1 Down push button - 2NO



1 Cam switch 1-0-2
90° switching - 2NO + 2NC



CAM SWITCHES

Rated operating voltage U_e [V]: 690
Rated insulation voltage U_i [V]: 690
Rated impulse withstand voltage U_{imp} [kV]: 4
Rated thermal current I_{th} [A]: 20
Rated thermal current in enclosure I_{the} [A]: 16
Frequency [Hz]: 50/60

CONTACT BLOCKS

Rated operating voltage U_e [V]: 690
Rated insulation voltage U_i [V]: 690
Rated impulse withstand voltage U_{imp} [kV]: 4
Rated thermal current I_{th} [A]: 16
Rated thermal current I_{the} [A]: 16
Frequency [Hz]: 50/60
Rated operating current: AC 15 – DC 13

PIT BOTTOM, RECALL DRIVE CONTROL UNITS AND CAR TOP INSPECTION BOXES - GM Series
GM441N

IP54 □

DESCRIPTION SCHEME
Emergency stop EN ISO 13850
 Ø 40 twist to release with:

1 Up push button - 2NO

1 Down push button - 2NO

 1 Cam switch 1-2
 90° switching - 2NO + 2NC

1 Schuko socket outlet 16A

1 Cenelec socket outlet

1 USA socket outlet

1 Swiss socket outlet

1 UK standard socket outlet

1 Australia-China socket outlet

CAM SWITCHES

 Rated operating voltage U_e [V]: 690
 Rated insulation voltage U_i [V]: 690
 Rated impulse withstand voltage U_{imp} [kV]: 4
 Rated thermal current I_{th} [A]: 20
 Rated thermal current in enclosure I_{the} [A]: 16
 Frequency [Hz]: 50/60

CONTACT BLOCKS

 Rated operating voltage U_e [V]: 690
 Rated insulation voltage U_i [V]: 690
 Rated impulse withstand voltage U_{imp} [kV]: 4
 Rated thermal current I_{th} [A]: 16
 Rated thermal current I_{the} [A]: 16
 Frequency [Hz]: 50/60
 Rated operating current: AC 15 - DC 13

GM441N/FR
GM441N/US
GM441N/SW
GM441N/UK
GM441N/CH

GM660

IP54 □ Magnets on the bottom by request

DESCRIPTION SCHEME
Emergency stop EN ISO 13850
 Ø 40 twist to release with:

1 Up push button - 2NO

1 Down push button - 2NO

 1 Alarm push button
 1NO + 1NC

 1 Cam switch 1-2
 90° switching - 3NO + 3NC

1 Schuko socket outlet 16A

1 Cenelec socket outlet

1 USA socket outlet

1 Swiss socket outlet

1 UK standard socket outlet

1 Australia-China socket outlet

CAM SWITCHES

 Rated operating voltage U_e [V]: 690
 Rated insulation voltage U_i [V]: 690
 Rated impulse withstand voltage U_{imp} [kV]: 4
 Rated thermal current I_{th} [A]: 20
 Rated thermal current in enclosure I_{the} [A]: 16
 Frequency [Hz]: 50/60

CONTACT BLOCKS

 Rated operating voltage U_e [V]: 690
 Rated insulation voltage U_i [V]: 690
 Rated impulse withstand voltage U_{imp} [kV]: 4
 Rated thermal current I_{th} [A]: 16
 Rated thermal current I_{the} [A]: 16
 Frequency [Hz]: 50/60
 Rated operating current: AC 15 - DC 13

GM660/FR
GM660/US
GM660/SW
GM660/UK
GM660/CH

GM445N

IP54 □

DESCRIPTION SCHEME
Emergency stop EN ISO 13850
 Ø 40 twist to release with:

1 Up push button - 2NO

1 Down push button - 2NO

 1 Cam switch 1-0-2
 90° switching - 2NO + 2NC

1 Schuko socket outlet 16A

1 Cenelec socket outlet

1 USA socket outlet

1 Swiss socket outlet

1 UK standard socket outlet

1 Australia-China socket outlet

CAM SWITCHES

 Rated operating voltage U_e [V]: 690
 Rated insulation voltage U_i [V]: 690
 Rated impulse withstand voltage U_{imp} [kV]: 4
 Rated thermal current I_{th} [A]: 20
 Rated thermal current in enclosure I_{the} [A]: 16
 Frequency [Hz]: 50/60

CONTACT BLOCKS

 Rated operating voltage U_e [V]: 690
 Rated insulation voltage U_i [V]: 690
 Rated impulse withstand voltage U_{imp} [kV]: 4
 Rated thermal current I_{th} [A]: 16
 Rated thermal current I_{the} [A]: 16
 Frequency [Hz]: 50/60
 Rated operating current: AC 15 - DC 13

GM445N/FR
GM445N/US
GM445N/SW
GM445N/UK
GM445N/CH

GM663

IP54 □ Magnets on the bottom by request

DESCRIPTION SCHEME
Emergency stop EN ISO 13850
 Ø 40 push-pull with:

1 Up push button - 2NO

1 Down push button - 2NO

1 Common push button - 2NO

 1 Cam switch 1-2
 90° switching - 3NO + 3NC

1 Schuko socket outlet 16A

1 Cenelec socket outlet

1 USA socket outlet

1 Swiss socket outlet

1 UK standard socket outlet

1 Australia-China socket outlet

CAM SWITCHES

 Rated operating voltage U_e [V]: 690
 Rated insulation voltage U_i [V]: 690
 Rated impulse withstand voltage U_{imp} [kV]: 4
 Rated thermal current I_{th} [A]: 20
 Rated thermal current in enclosure I_{the} [A]: 16
 Frequency [Hz]: 50/60

CONTACT BLOCKS

 Rated operating voltage U_e [V]: 690
 Rated insulation voltage U_i [V]: 690
 Rated impulse withstand voltage U_{imp} [kV]: 4
 Rated thermal current I_{th} [A]: 16
 Rated thermal current I_{the} [A]: 16
 Frequency [Hz]: 50/60
 Rated operating current: AC 15 - DC 13

GM663/FR
GM663/US
GM663/SW
GM663/UK
GM663/CH


PIT BOTTOM, RECALL DRIVE CONTROL UNITS AND CAR TOP INSPECTION BOXES - GM Series

GM670

IP54 Magnets on the bottom by request



DESCRIPTION	SCHEME	CAM SWITCHES
Emergency stop EN ISO 13850 Ø 40 twist to release with:		Rated operating voltage Ue [V]: 690 Rated insulation voltage Ui [V]: 690 Rated impulse withstand voltage Uimp [kV]: 4 Rated thermal current Ith [A]: 20 Rated thermal current in enclosure Ithe [A]: 16 Frequency [Hz]: 50/60
1 Up push button - 2NO		CONTACT BLOCKS Rated operating voltage Ue [V]: 690 Rated insulation voltage Ui [V]: 690 Rated impulse withstand voltage Uimp [kV]: 4 Rated thermal current Ith [A]: 16 Rated thermal current Ithe [A]: 16 Frequency [Hz]: 50/60 Rated operating current: AC 15 - DC 13
1 Down push button - 2NO		
1 Alarm push button 1NO+1NC		GM670/FR
1 Cam switch 1-0-2 90° switching - 2NO + 2NC		GM670/US
1 Schuko socket outlet 16A		GM670/SW
1 Cenelec socket outlet		GM670/UK
1 USA socket outlet		GM670/CH
1 Swiss socket outlet		
1 UK standard socket outlet		
1 Australia-China socket outlet		

GM750

IP54 Magnets on the bottom by request



DESCRIPTION	SCHEME	CAM SWITCHES
Emergency stop EN ISO 13850 Ø 40 push-pull with:		Rated operating voltage Ue [V]: 690 Rated insulation voltage Ui [V]: 690 Rated impulse withstand voltage Uimp [kV]: 4 Rated thermal current Ith [A]: 20 Rated thermal current in enclosure Ithe [A]: 16 Frequency [Hz]: 50/60
1 Up push button - 2NO		CONTACT BLOCKS Rated operating voltage Ue [V]: 690 Rated insulation voltage Ui [V]: 690 Rated impulse withstand voltage Uimp [kV]: 4 Rated thermal current Ith [A]: 16 Rated thermal current Ithe [A]: 16 Frequency [Hz]: 50/60 Rated operating current: AC 15 - DC 13
1 Down push button - 2NO		
1 Alarm push button - 1NO		GM750/FR
1 Common push button - 1NO		GM750/US
1 Cam switch 1-2 90° switching - 2NO + 2NC		GM750/SW
1 Schuko socket outlet 16A		GM750/UK
1 Cenelec socket outlet		GM750/CH
1 USA socket outlet		
1 Swiss socket outlet		
1 UK standard socket outlet		
1 Australia-China socket outlet		

GM677

IP54 Magnets on the bottom by request



DESCRIPTION	SCHEME	CAM SWITCHES
Emergency stop EN ISO 13850 Ø 40 push-pull with:		Rated operating voltage Ue [V]: 690 Rated insulation voltage Ui [V]: 690 Rated impulse withstand voltage Uimp [kV]: 4 Rated thermal current Ith [A]: 20 Rated thermal current in enclosure Ithe [A]: 16 Frequency [Hz]: 50/60
1 Up push button - 2NO		CONTACT BLOCKS Rated operating voltage Ue [V]: 690 Rated insulation voltage Ui [V]: 690 Rated impulse withstand voltage Uimp [kV]: 4 Rated thermal current Ith [A]: 16 Rated thermal current Ithe [A]: 16 Frequency [Hz]: 50/60 Rated operating current: AC 15 - DC 13
1 Down push button - 2NO		
1 Common push button - 2NO		GM677/FR
1 Cam switch 1-0-2 90° switching - 3NO + 3NC		GM677/US
1 Schuko socket outlet 16A		GM677/SW
1 Cenelec socket outlet		GM677/UK
1 USA socket outlet		GM677/CH
1 Swiss socket outlet		
1 UK standard socket outlet		
1 Australia-China socket outlet		

GM757

IP54 Magnets on the bottom by request



DESCRIPTION	SCHEME	CAM SWITCHES
Emergency stop EN ISO 13850 Ø 40 push-pull with:		Rated operating voltage Ue [V]: 690 Rated insulation voltage Ui [V]: 690 Rated impulse withstand voltage Uimp [kV]: 4 Rated thermal current Ith [A]: 20 Rated thermal current in enclosure Ithe [A]: 16 Frequency [Hz]: 50/60
1 Up push button - 2NO - 1NC		CONTACT BLOCKS Rated operating voltage Ue [V]: 690 Rated insulation voltage Ui [V]: 690 Rated impulse withstand voltage Uimp [kV]: 4 Rated thermal current Ith [A]: 16 Rated thermal current Ithe [A]: 16 Frequency [Hz]: 50/60 Rated operating current: AC 15 - DC 13
1 Down push button - 2NO - 1NC		
1 Knob selector 1-0-2 - 1NO+1NO		GM757/FR
1 Common push button - 2NO		GM757/US
1 Cam switch 1-2 90° switching - 2NO + 2NC		GM757/SW
1 Schuko socket outlet 16A		GM757/UK
1 Cenelec socket outlet		GM757/CH
1 USA socket outlet		
1 Swiss socket outlet		
1 UK standard socket outlet		
1 Australia-China socket outlet		

PIT BOTTOM, RECALL DRIVE CONTROL UNITS AND CAR TOP INSPECTION BOXES - GM Series

GM758

IP54 Magnets on the bottom by request



DESCRIPTION SCHEME

Emergency stop EN ISO 13850 Ø 40 push-pull with:

1 Up push button - 2NO - 1NC

1 Down push button - 2NO - 1NC

1 Led light

1 Common push button - 2NO
90° switching - 2NO + 2NC

1 Schuko socket outlet 16A

1 Cenelec socket outlet

1 USA socket outlet

1 Swiss socket outlet

1 UK standard socket outlet

1 Australia-China socket outlet

CAM SWITCHES
Rated operating voltage Ue [V]: 690
Rated insulation voltage Ui [V]: 690
Rated impulse withstand voltage Uimp [kV]: 4
Rated thermal current Ith [A]: 20
Rated thermal current in enclosure Ithe [A]: 16
Frequency [Hz]: 50/60

CONTACT BLOCKS
Rated operating voltage Ue [V]: 690
Rated insulation voltage Ui [V]: 690
Rated impulse withstand voltage Uimp [kV]: 4
Rated thermal current Ith [A]: 16
Rated thermal current Ithe [A]: 16
Frequency [Hz]: 50/60
Rated operating current: AC 15 - DC 13

- GM758/FR**
- GM758/US**
- GM758/SW**
- GM758/UK**
- GM758/CH**

GM756

IP54 Magnets on the bottom by request



DESCRIPTION SCHEME

Emergency stop EN ISO 13850 Ø 40 push-pull with:

1 Up push button - 2NO - 1NC

1 Down push button - 2NO - 1NC

1 Alarm push button - 1NO

1 Common push button - 2NO

1 Cam switch 1-2
90° switching - 2NO + 2NC

1 Red led light

1 Knob selector 1-0-2 1NO+1NO

1 Schuko socket outlet 16A

1 Cenelec socket outlet

1 USA socket outlet

1 Swiss socket outlet

1 UK standard socket outlet

1 Australia-China socket outlet

CAM SWITCHES
Rated operating voltage Ue [V]: 690
Rated insulation voltage Ui [V]: 690
Rated impulse withstand voltage Uimp [kV]: 4
Rated thermal current Ith [A]: 20
Rated thermal current in enclosure Ithe [A]: 16
Frequency [Hz]: 50/60

CONTACT BLOCKS
Rated operating voltage Ue [V]: 690
Rated insulation voltage Ui [V]: 690
Rated impulse withstand voltage Uimp [kV]: 4
Rated thermal current Ith [A]: 16
Rated thermal current Ithe [A]: 16
Frequency [Hz]: 50/60
Rated operating current: AC 15 - DC 13

- GM756/FR**
- GM756/US**
- GM756/SW**
- GM756/UK**
- GM756/CH**

GM751

IP65 Magnets on the bottom by request



DESCRIPTION SCHEME

Emergency stop EN ISO 13850 Ø 40 push-pull with:

1 Up push button - 2NO

1 Down push button - 2NO

1 Alarm push button - 1NO

1 Common push button - 1NO

1 Cam switch 1-2
90° switching - 2NO + 2NC

CAM SWITCHES
Rated operating voltage Ue [V]: 690
Rated insulation voltage Ui [V]: 690
Rated impulse withstand voltage Uimp [kV]: 4
Rated thermal current Ith [A]: 20
Rated thermal current in enclosure Ithe [A]: 16
Frequency [Hz]: 50/60

CONTACT BLOCKS
Rated operating voltage Ue [V]: 690
Rated insulation voltage Ui [V]: 690
Rated impulse withstand voltage Uimp [kV]: 4
Rated thermal current Ith [A]: 16
Rated thermal current Ithe [A]: 16
Frequency [Hz]: 50/60
Rated operating current: AC 15 - DC 13

GM754

IP65 Magnets on the bottom by request



DESCRIPTION SCHEME

Emergency stop EN ISO 13850 Ø 40 push-pull with:

1 Up push button - 2NO - 1NC

1 Down push button - 2NO - 1NC

1 Alarm push button - 1NO

1 Common push button - 2NO

1 Cam switch 1-2
90° switching - 2NO + 2NC

1 Knob selector 1-0-2 1NO+1NO

1 Red led light

CAM SWITCHES
Rated operating voltage Ue [V]: 690
Rated insulation voltage Ui [V]: 690
Rated impulse withstand voltage Uimp [kV]: 4
Rated thermal current Ith [A]: 20
Rated thermal current in enclosure Ithe [A]: 16
Frequency [Hz]: 50/60

CONTACT BLOCKS
Rated operating voltage Ue [V]: 690
Rated insulation voltage Ui [V]: 690
Rated impulse withstand voltage Uimp [kV]: 4
Rated thermal current Ith [A]: 16
Rated thermal current Ithe [A]: 16
Frequency [Hz]: 50/60
Rated operating current: AC 15 - DC 13

**PIT BOTTOM, RECALL DRIVE CONTROL UNITS
AND CAR TOP INSPECTION BOXES - GM Series**
GM412
IP54
DESCRIPTION
SCHEME
Emergency stop EN ISO 13850
Ø 40 twist to release with:


1 Up push button - 2NO - 1NC



1 Down push button - 2NO - 1NC



1 Alarm push button - 1NO



1 Common push button - 2NO


 1 Cam switch 1-2
90° switching - 3NO + 3NC


1 Schuko socket outlet 16A



1 Cenelec socket outlet



1 USA socket outlet



1 Swiss socket outlet



1 UK standard socket outlet



1 Australia-China socket outlet


CAM SWITCHES

 Rated operating voltage Ue [V]: 690
 Rated insulation voltage Ui [V]: 690
 Rated impulse withstand voltage Uimp [kV]: 4
 Rated thermal current Ith [A]: 20
 Rated thermal current in enclosure Ithe [A]: 16
 Frequency [Hz]: 50/60

CONTACT BLOCKS

 Rated operating voltage Ue [V]: 690
 Rated insulation voltage Ui [V]: 690
 Rated impulse withstand voltage Uimp [kV]: 4
 Rated thermal current Ith [A]: 16
 Rated thermal current Ithe [A]: 16
 Frequency [Hz]: 50/60
 Rated operating current: AC 15 – DC 13

GM412/FR
GM412/US
GM412/SW
GM412/UK
GM412/CH

GM321
IP54
DESCRIPTION
SCHEME
Emergency stop EN ISO 13850
Ø 40 push-pull with:

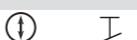
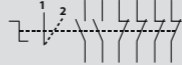

1 Up push button - 2NO



1 Down push button - 2NO


 1 Alarm/Light dual push button
1NO+1NO


1 Blue push button - 1NO


 1 Cam switch 1-2
90° switching - 2NO + 4NC


2 Knob selector 1-0-2 1NO+1NO



1 Schuko socket outlet 16A



1 Cenelec socket outlet



1 USA socket outlet



1 Swiss socket outlet



1 UK standard socket outlet



1 Australia-China socket outlet


CAM SWITCHES

 Rated operating voltage Ue [V]: 690
 Rated insulation voltage Ui [V]: 690
 Rated impulse withstand voltage Uimp [kV]: 4
 Rated thermal current Ith [A]: 20
 Rated thermal current in enclosure Ithe [A]: 16
 Frequency [Hz]: 50/60

CONTACT BLOCKS

 Rated operating voltage Ue [V]: 690
 Rated insulation voltage Ui [V]: 690
 Rated impulse withstand voltage Uimp [kV]: 4
 Rated thermal current Ith [A]: 16
 Rated thermal current Ithe [A]: 16
 Frequency [Hz]: 50/60
 Rated operating current: AC 15 – DC 13

GM321/FR
GM321/US
GM321/SW
GM321/UK
GM321/CH

GM822
IP54
DESCRIPTION
SCHEME
Emergency stop EN ISO 13850
Ø 30 twist to release with:


1 Up push button - 2NO - 1NC



1 Down push button - 2NO - 1NC



1 Alarm push button - 1NO



1 Common push button - 2NO



1 White LED light


 1 Cam switch 1-2
90° switching - 3NO + 3NC


1 Schuko socket outlet 16A



1 Cenelec socket outlet



1 USA socket outlet



1 Swiss socket outlet



1 UK standard socket outlet



1 Australia-China socket outlet


CAM SWITCHES

 Rated operating voltage Ue [V]: 690
 Rated insulation voltage Ui [V]: 690
 Rated impulse withstand voltage Uimp [kV]: 4
 Rated thermal current Ith [A]: 20
 Rated thermal current in enclosure Ithe [A]: 16
 Frequency [Hz]: 50/60

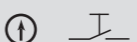
CONTACT BLOCKS

 Rated operating voltage Ue [V]: 690
 Rated insulation voltage Ui [V]: 690
 Rated impulse withstand voltage Uimp [kV]: 4
 Rated thermal current Ith [A]: 16
 Rated thermal current Ithe [A]: 16
 Frequency [Hz]: 50/60
 Rated operating current: AC 15 – DC 13

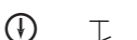
GM822/FR
GM822/US
GM822/SW
GM822/UK
GM822/CH

GM520
IP55
DESCRIPTION
SCHEME
Emergency stop EN ISO 13850
Ø 30 twist to release with:

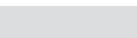

1 Up push button - 1NO



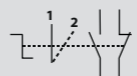
1 Down push button - 1NO



1 Plug



1 Common push button - 1NO


 1 Cam switch 1-2
90° switching - 1NO + 1NC


1 Schuko socket outlet 16A



1 Cenelec socket outlet



1 USA socket outlet



1 Swiss socket outlet



1 UK standard socket outlet



1 Australia-China socket outlet


CAM SWITCHES

 Rated operating voltage Ue [V]: 690
 Rated insulation voltage Ui [V]: 690
 Rated impulse withstand voltage Uimp [kV]: 4
 Rated thermal current Ith [A]: 20
 Rated thermal current in enclosure Ithe [A]: 16
 Frequency [Hz]: 50/60

CONTACT BLOCKS

 Rated operating voltage Ue [V]: 690
 Rated insulation voltage Ui [V]: 690
 Rated impulse withstand voltage Uimp [kV]: 4
 Rated thermal current Ith [A]: 16
 Rated thermal current Ithe [A]: 16
 Rated operating current: AC 15 – DC 13
 Frequency [Hz]: 50/60

GM520/FR
GM520/US
GM520/SW
GM520/UK
GM520/CH




GM503 IP54

DESCRIPTION SCHEME

- Emergency stop EN ISO 13850**
Ø 40 twist to release with:
- 1 Up push button - 1NO - 1NC
 - 1 Down push button - 1NO - 1NC
 - 1 Green push button - 1NO
 - 1 Blue push button - 1NO
 - 1 Black push button - 1NO
 - 1 Cam switch 1-2
90° switching - 1NO + 1NC
 - 1 Schuko socket outlet 16A
 - 1 USA socket outlet

CAM SWITCHES

Rated operating voltage U_e [V]: 690
 Rated insulation voltage U_i [V]: 690
 Rated impulse withstand voltage U_{imp} [kV]: 4
 Rated thermal current I_{th} [A]: 20
 Rated thermal current in enclosure I_{the} [A]: 16
 Frequency [Hz]: 50/60

CONTACT BLOCKS

Rated operating voltage U_e [V]: 690
 Rated insulation voltage U_i [V]: 690
 Rated impulse withstand voltage U_{imp} [kV]: 4
 Rated thermal current I_{th} [A]: 16
 Rated thermal current I_{the} [A]: 16
 Frequency [Hz]: 50/60
 Rated operating current: AC 15 - DC 13



GM004 IP65

DESCRIPTION SCHEME

- Emergency stop EN ISO 13850**
Ø 40 push-pull with:
- 1 multi-function button
Yellow - Green 2NO
 - 1 multi-function button
Up - Down 2NO
 - 1 Cam switch 1-2
90° switching 1NO + 1NC

CAM SWITCHES

Rated operating voltage U_e [V]: 690
 Rated insulation voltage U_i [V]: 690
 Rated impulse withstand voltage U_{imp} [kV]: 4
 Rated thermal current I_{th} [A]: 20
 Rated thermal current in enclosure I_{the} [A]: 16
 Frequency [Hz]: 50/60

CONTACT BLOCKS

Rated operating voltage U_e [V]: 690
 Rated insulation voltage U_i [V]: 690
 Rated impulse withstand voltage U_{imp} [kV]: 4
 Rated thermal current I_{th} [A]: 16
 Rated thermal current I_{the} [A]: 16
 Frequency [Hz]: 50/60
 Rated operating current: AC 15 - DC 13

GM412Black IP54

DESCRIPTION SCHEME

- Emergency stop EN ISO 13850**
Ø 40 push-pull with:
- 1 Up push button - 2NO - 1NC
 - 1 Down push button - 2NO - 1NC
 - 1 Alarm push button - 1NO
 - 1 Common push button - 2NO
 - 1 Cam switch 1-2
90° switching - 3NO + 3NC
 - 1 Schuko socket outlet 16A
 - 1 Cenelec socket outlet
 - 1 USA socket outlet
 - 1 Swiss socket outlet
 - 1 UK standard socket outlet
 - 1 Australia-China socket outlet

CAM SWITCHES

Rated operating voltage U_e [V]: 690
 Rated insulation voltage U_i [V]: 690
 Rated impulse withstand voltage U_{imp} [kV]: 4
 Rated thermal current I_{th} [A]: 20
 Rated thermal current in enclosure I_{the} [A]: 16
 Frequency [Hz]: 50/60

CONTACT BLOCKS

Rated operating voltage U_e [V]: 690
 Rated insulation voltage U_i [V]: 690
 Rated impulse withstand voltage U_{imp} [kV]: 4
 Rated thermal current I_{th} [A]: 16
 Rated thermal current I_{the} [A]: 16
 Frequency [Hz]: 50/60
 Rated operating current: AC 15 - DC 13

GM412Black/FR

GM412Black/US

GM412Black/SW

GM412Black/UK

GM412Black/CH



GM660Black IP54

Magnets on the bottom by request

DESCRIPTION SCHEME

- Emergency stop EN ISO 13850**
Ø 40 twist to release with:
- 1 Up push button - 2NO
 - 1 Down push button - 2NO
 - 1 Common push button - 2NO
 - 1 Cam switch 1-2
90° switching - 3NO + 3NC
 - 1 Schuko socket outlet 16A
 - 1 Cenelec socket outlet
 - 1 USA socket outlet
 - 1 Swiss socket outlet
 - 1 UK standard socket outlet
 - 1 Australia-China socket outlet

CAM SWITCHES

Rated operating voltage U_e [V]: 690
 Rated insulation voltage U_i [V]: 690
 Rated impulse withstand voltage U_{imp} [kV]: 4
 Rated thermal current I_{th} [A]: 20
 Rated thermal current in enclosure I_{the} [A]: 16
 Frequency [Hz]: 50/60

CONTACT BLOCKS

Rated operating voltage U_e [V]: 690
 Rated insulation voltage U_i [V]: 690
 Rated impulse withstand voltage U_{imp} [kV]: 4
 Rated thermal current I_{th} [A]: 16
 Rated thermal current I_{the} [A]: 16
 Frequency [Hz]: 50/60
 Rated operating current: AC 15 - DC 13

GM660Black/FR

GM660Black/US

GM660Black/SW

GM660Black/UK

GM660Black/CH




GM Series for ESCALATOR
COMPLEMENTARY PRODUCT for ESCALATOR
Mushroom Ø 90 station

GM482

IP65 □

DESCRIPTION	SCHEME
Emergency stop EN ISO 13850 Ø 40 push-pull with:	
1 Up push button - 1NO - 1NC	
1 Down push button - 1NO - 1NC	
1 Start push button - 1NO	

CONTACT BLOCKS

Rated operating voltage Ue [V]: 690
 Rated insulation voltage Ui [V]: 690
 Rated impulse withstand voltage Uimp [kV]: 4
 Rated thermal current Ith [A]: 16
 Rated thermal current Ithe [A]: 16
 Frequency [Hz]: 50/60
 Rated operating current: AC 15 – DC 13


GM245

IP65 □

DESCRIPTION	SCHEME
Emergency stop EN ISO 13850 Ø 40 push-pull with:	
1 Up push button - 1NO - 1NC	
1 Down push button - 1NO - 1NC	
1 Cam switch O-1 90° switching	

CAM SWITCHES

Rated operating voltage Ue [V]: 690
 Rated insulation voltage Ui [V]: 690
 Rated impulse withstand voltage Uimp [kV]: 4
 Rated thermal current Ith [A]: 20
 Rated thermal current in enclosure Ithe [A]: 16
 Frequency [Hz]: 50/60

CONTACT BLOCKS

Rated operating voltage Ue [V]: 690
 Rated insulation voltage Ui [V]: 690
 Rated impulse withstand voltage Uimp [kV]: 4
 Rated thermal current Ith [A]: 16
 Rated thermal current Ithe [A]: 16
 Frequency [Hz]: 50/60
 Rated operating current: AC 15 – DC 13


GMS50

IP65 □

DESCRIPTION	SCHEME
Emergency stop EN ISO 13850 Ø 40 push-pull with:	
1 Up push button - 1NO - 1NC	
1 Enable push button - 1NO	
1 Down push button - 1NO - 1NC	

CONTACT BLOCKS

Rated operating voltage Ue [V]: 690
 Rated insulation voltage Ui [V]: 690
 Rated impulse withstand voltage Uimp [kV]: 4
 Rated thermal current Ith [A]: 16
 Rated thermal current Ithe [A]: 16
 Frequency [Hz]: 50/60
 Rated operating current: AC 15 – DC 13

PG 1M9W01

IP66 □

DESCRIPTION	SCHEME
Mushroom momentary	
Colour	

CONTACT BLOCKS

Rated operating voltage Ue [V]: 690
 Rated insulation voltage Ui [V]: 690
 Rated impulse withstand voltage Uimp [kV]: 4
 Rated thermal current Ith [A]: 16
 Rated thermal current Ithe [A]: 16
 Frequency [Hz]: 50/60
 Rated operating current: AC 15 – DC 13


PG8M9W10

IP66 □

DESCRIPTION	SCHEME
Mushroom momentary	
Colour	

CONTACT BLOCKS

Rated operating voltage Ue [V]: 690
 Rated insulation voltage Ui [V]: 690
 Rated impulse withstand voltage Uimp [kV]: 4
 Rated thermal current Ith [A]: 16
 Rated thermal current Ithe [A]: 16
 Frequency [Hz]: 50/60
 Rated operating current: AC 15 – DC 13


PR 1M9W01

IP66 □

DESCRIPTION	SCHEME
Mushroom momentary	
Colour	

CONTACT BLOCKS

Rated operating voltage Ue [V]: 690
 Rated insulation voltage Ui [V]: 690
 Rated impulse withstand voltage Uimp [kV]: 4
 Rated thermal current Ith [A]: 16
 Rated thermal current Ithe [A]: 16
 Frequency [Hz]: 50/60
 Rated operating current: AC 15 – DC 13


ELECTRICAL CHARACTERISTICS

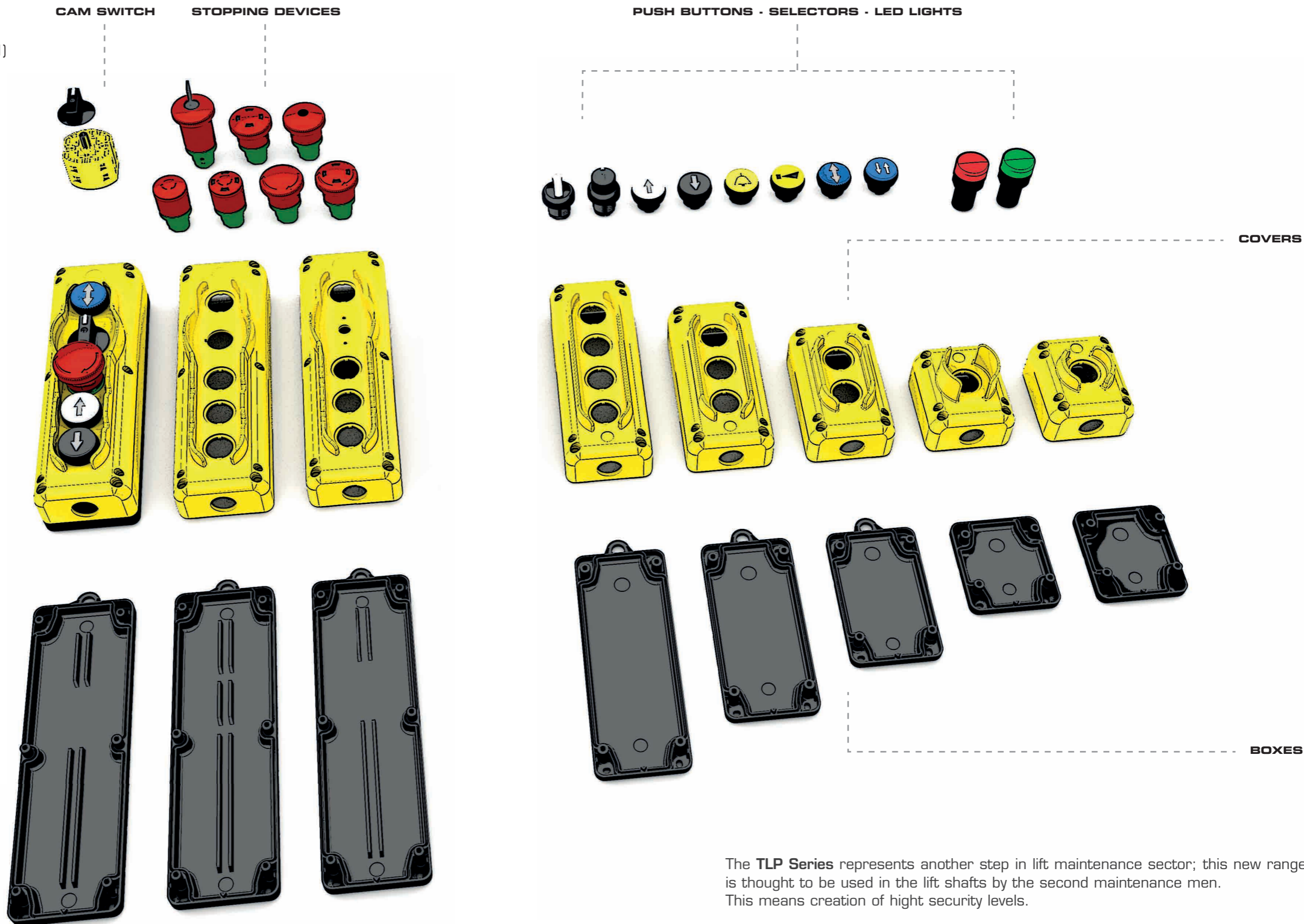
Protection	EN 60529 IP66
Double insulated	□
Number contact capacity	max 3 contact blocks
Cable entry with 3 holes	Pg 13,5/M20
Ambient temperature	operating -25° C +70° C storage -30° C +70° C
Climate protection	IEC 68 2-3, 2-30
Terminal referencing	EN 50013
Colours	Red mushroom RAL 3000 Giovanzana yellow cover Black box RAL 9005 Black mushroom RAL 9005 Grey cover RAL 7035 Black box RAL 9005



PENDANT STATIONS - TLP Series
Modular configuration example

GENERAL CHARACTERISTICS

- Lifting Platforms and tails lifts application
- In conformity to IEC/EN 60947-5-1, UNI EN 1570-1 (2011)
- Box in thermoplastic, shocks and heat resistance
- Double insulating material with IP 65 protection degree IEC/EN 60529
- Contact blocks with spring connection IP20
- Contact block NC PCW01, Contact block NO PCW10
- Cam switch with screw terminal IP20
- Two directions mechanically interlocked
- Push buttons laser engraved
- Pendant or solid fixing
- Skin stop cable gland M20
- Class VO material or UV resistant ABS upon request



The **TLP Series** represents another step in lift maintenance sector; this new range is thought to be used in the lift shafts by the second maintenance men. This means creation of high security levels.

PENDANT STATIONS - TLP Series

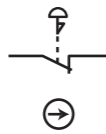
TLP1.EPP

IP65



DESCRIPTION SCHEME

Emergency stop
EN-ISO 13850
Ø 40 to push-pull
with 1 contact block NC



CONTACT BLOCKS

Rated operating voltage U_e [V]: 690
Rated insulation voltage U_i [V]: 690
Rated impulse withstand voltage U_{imp} [kV]: 4
Rated thermal current I_{th} [A]: 16
Rated thermal current I_{the} [A]: 16
Frequency [Hz]: 50/60
Rated operating current: AC 15 – DC 13

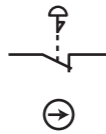
TLP1.VPP

IP65



DESCRIPTION SCHEME

Emergency stop
EN-ISO 13850
Ø 40 to push-pull with
vision contact block NC



CONTACT BLOCKS

Rated operating voltage U_e [V]: 690
Rated insulation voltage U_i [V]: 690
Rated impulse withstand voltage U_{imp} [kV]: 4
Rated thermal current I_{th} [A]: 16
Rated thermal current I_{the} [A]: 16
Frequency [Hz]: 50/60
Rated operating current: AC 15 – DC 13

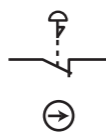
TLP1.ESR

IP65



DESCRIPTION SCHEME

Emergency stop
EN-ISO 13850
Ø 40 twist to release
with 1 contact block NC



CONTACT BLOCKS

Rated operating voltage U_e [V]: 690
Rated insulation voltage U_i [V]: 690
Rated impulse withstand voltage U_{imp} [kV]: 4
Rated thermal current I_{th} [A]: 16
Rated thermal current I_{the} [A]: 16
Frequency [Hz]: 50/60
Rated operating current: AC 15 – DC 13

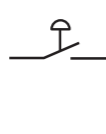
TLP1B.AL

IP65



DESCRIPTION SCHEME

Alarm push button
mushroom operator
Ø 40 with 1 contact NO



CONTACT BLOCKS

Rated operating voltage U_e [V]: 690
Rated insulation voltage U_i [V]: 690
Rated impulse withstand voltage U_{imp} [kV]: 4
Rated thermal current I_{th} [A]: 16
Rated thermal current I_{the} [A]: 16
Frequency [Hz]: 50/60
Rated operating current: AC 15 – DC 13

TLP2

IP65

DESCRIPTION SCHEME

1 Up push button - 1NO



1 Down push button - 1NO



CONTACT BLOCKS

Rated operating voltage U_e [V]: 690
Rated insulation voltage U_i [V]: 690
Rated impulse withstand voltage U_{imp} [kV]: 4
Rated thermal current I_{th} [A]: 16
Rated thermal current I_{the} [A]: 16
Frequency [Hz]: 50/60
Rated operating current: AC 15 – DC 13

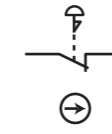


TLP3.B

IP65

DESCRIPTION SCHEME

Emergency stop
EN ISO 13850
Ø 30 twist to release
with 1 contact block NC



1 Up push button - 1NO



1 Down push button - 1NO



CONTACT BLOCKS

Rated operating voltage U_e [V]: 690
Rated insulation voltage U_i [V]: 690
Rated impulse withstand voltage U_{imp} [kV]: 4
Rated thermal current I_{th} [A]: 16
Rated thermal current I_{the} [A]: 16
Frequency [Hz]: 50/60
Rated operating current: AC 15 – DC 13

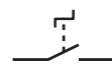


TLP3.D

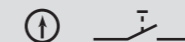
IP65

DESCRIPTION SCHEME

Knob selector with
1 NO contact block



1 Up push button - 1NO



1 Down push button - 1NO



CONTACT BLOCKS

Rated operating voltage U_e [V]: 690
Rated insulation voltage U_i [V]: 690
Rated impulse withstand voltage U_{imp} [kV]: 4
Rated thermal current I_{th} [A]: 16
Rated thermal current I_{the} [A]: 16
Frequency [Hz]: 50/60
Rated operating current: AC 15 – DC 13





PENDANT STATIONS - TLP Series

TLP ACCESSORIES



TLP4.A

IP65

DESCRIPTION	SCHEME
Emergency stop EN ISO 13850 Ø 30 twist to release with 1 contact block NC	
1 Up push button - 1NO	
1 Down push button - 1NO	
1 Common push button - 1NO	

CONTACT BLOCKS

Rated operating voltage Ue [V]: 690
Rated insulation voltage Ui [V]: 690
Rated impulse withstand voltage Uimp [kV]: 4
Rated thermal current Ith [A]: 16
Rated thermal current Ithe [A]: 16
Frequency [Hz]: 50/60
Rated operating current: AC 15 – DC 13



TLP4

IP65

DESCRIPTION	SCHEME
Emergency stop EN ISO 13850 Ø 30 twist to release with 1 contact block NC	
1 Cam switch 1-2 90° switching - 3NO+3NC	
1 Up push button - 1NO	
1 Down push button - 1NO	

CAM SWITCHES

Rated operating voltage Ue [V]: 690
Rated insulation voltage Ui [V]: 690
Rated impulse withstand voltage Uimp [kV]: 4
Rated thermal current Ith [A]: 20
Rated thermal current in enclosure Ithe [A]: 16
Frequency [Hz]: 50/60

CONTACT BLOCKS

Rated operating voltage Ue [V]: 690
Rated insulation voltage Ui [V]: 690
Rated impulse withstand voltage Uimp [kV]: 4
Rated thermal current Ith [A]: 16
Rated thermal current Ithe [A]: 16
Frequency [Hz]: 50/60
Rated operating current: AC 15 – DC 13



TLP5

IP65

DESCRIPTION	SCHEME
Emergency stop EN ISO 13850 Ø 40 push-pull with 1 contact block NC	
1 Cam switch 1-2 90° switching - 3NO+3NC	
1 Common push button - 1NO	
1 Up push button - 2NO	
1 Down push button - 2NO	

CAM SWITCHES

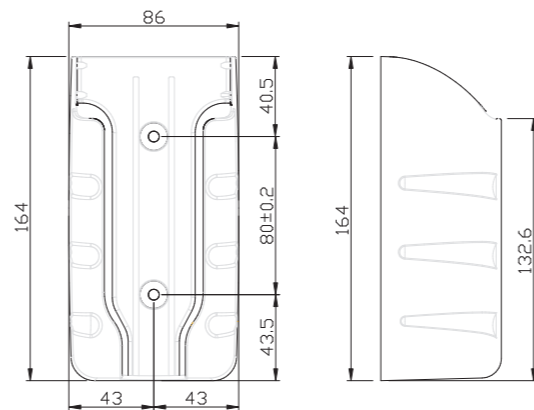
Rated operating voltage Ue [V]: 690
Rated insulation voltage Ui [V]: 690
Rated impulse withstand voltage Uimp [kV]: 4
Rated thermal current Ith [A]: 20
Rated thermal current in enclosure Ithe [A]: 16
Frequency [Hz]: 50/60

CONTACT BLOCKS

Rated operating voltage Ue [V]: 690
Rated insulation voltage Ui [V]: 690
Rated impulse withstand voltage Uimp [kV]: 4
Rated thermal current Ith [A]: 16
Rated thermal current Ithe [A]: 16
Frequency [Hz]: 50/60
Rated operating current: AC 15 – DC 13

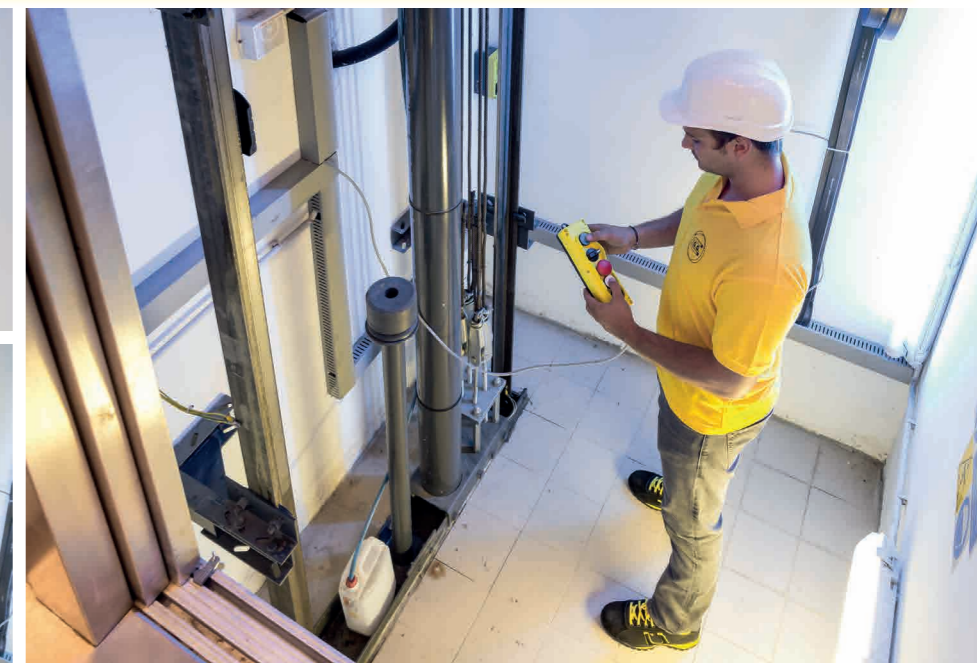
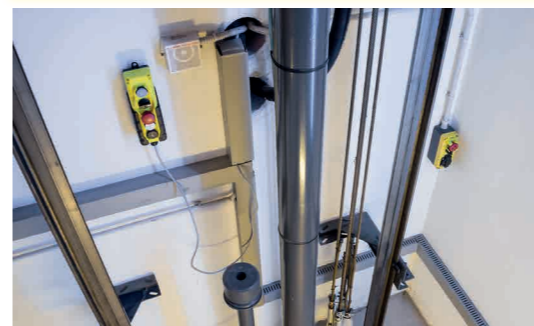
WALL BRACKET CASE

TLP TYPE	CODE	CHARACTERISTICS
From 1 to 3 buttons	16000061	Polypropylene material Logo mold-printed
From 4 to 5 buttons	16000062	



SPIRAL CABLE GLAND

DESCRIPTION	CODE	CHARACTERISTICS
Cable gland with spiral flex protector	12901054	Liquid tight strain relief fittings with flex protection made of nylon 6/6 Protection: IP 68 – 10 bar Temperature: - 40/100 °C Material: PA



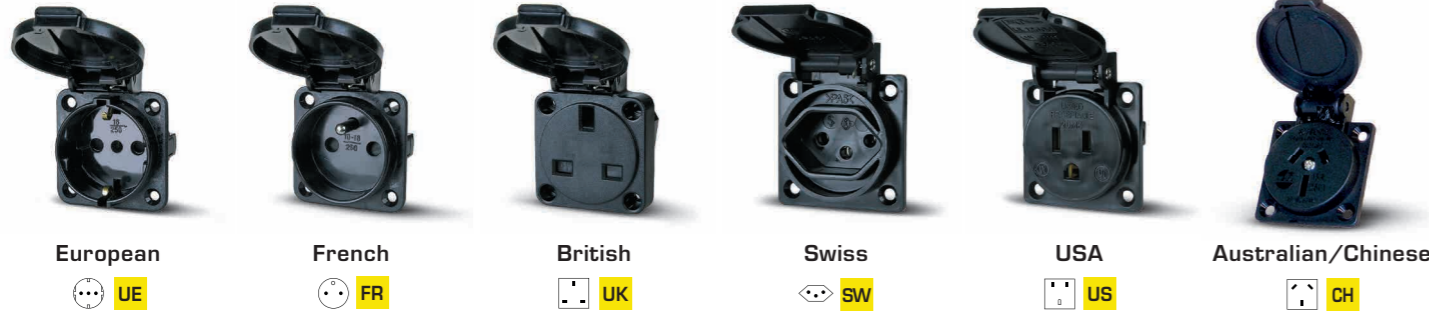
ACCESSORIES

Socket outlets IP54 - Contact blocks

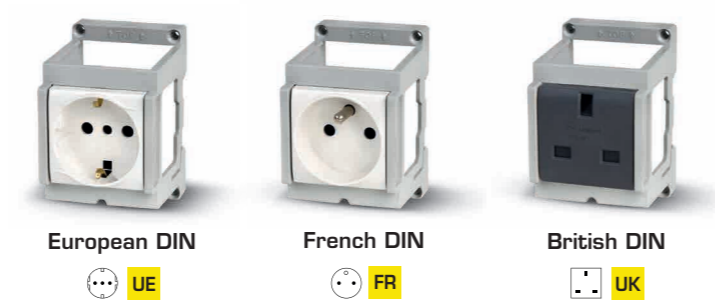
ACCESSORIES

Contact blocks

20401371 20401372 20401398 20401399 20401369 12701045



1412.D 1412.FR 1412.BS



WITH DIN-EN 50022-35 RAIL SUPPORT

DESCRIPTION	CODE	FUNCTIONS	SCHEME
Welding terminals	PSC01	0 1,5 6 mm	1 — NC — 2
	PSC10	0 3,5 6 mm	3 — NO — 4

DESCRIPTION	CODE	FUNCTIONS	SCHEME
Spring clamp terminals	PCW01	0 1,5 6 mm	1 — NC — 2
	PCW10	0 3,5 6 mm	3 — NO — 4

DESCRIPTION	CODE	POWER SUPPLY	SCHEME
Lampholder BA9s	PCWAD	BA9s lamp socket 250V - 2,4W max Bulb not included	X1 — — X2

DESCRIPTION	CODE	POWER SUPPLY	SCHEME
Lampholder with built-in LED	PCW5L12	AC/DC 12V	X1 — — X2
	PCW5L24	AC/DC 24V	
	PCW5L48	AC/DC 48V	
	PCW5L110	AC/DC 110V	
	PCW5L220	AC 220V	



DESCRIPTION	CODE	FUNCTIONS	SCHEME
Screw terminals	PL004001	0 1,5 6 mm	1 — NC — 2
	PL004002	0 3,5 6 mm	3 — NO — 4

DESCRIPTION	CODE	POWER SUPPLY	SCHEME
Lampholder BA9s	PL004007	BA9s lamp socket 400V - 2,4W max Bulb not included	X1 — — X2

DESCRIPTION	CODE	POWER SUPPLY	SCHEME
Lampholder with built-in LED	PL0045L12	AC/DC 12V	X1 — — X2
	PL0045L24	AC/DC 24V	
	PL0045L48	AC/DC 48V	
	PL0045L110	AC/DC 110V	
	PL0045L220	AC 220V	

CONTACT BLOCKS ELECTRICAL CHARACTERISTICS

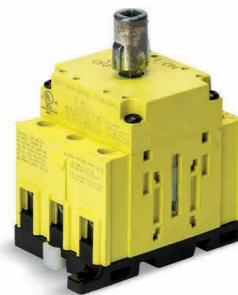
CHARACTERISTICS IEC/EN60947-5-1	PL004001 - PL004002							PCW01 - PCW10								
	Rated insulation voltage U_i	690 V*							690 V*							
Rated impulse withstand voltage U_{imp}	4*							4*								
Frequency	50/60*							50/60*								
Rated Thermal Current I_{th}	16*							16*								
Rated thermal current I_{the}	16*							16*								
RATED OPERATING CURRENT																
AC15: alternate current	V							V								
	A							A								
	24	60	120	240	400	440	500	690	24	60	110	240	400	440	500	690
	16*	12	8	6	4	3,5	3	1	10*	8*	6	5*	4	4	4*	2*
DC13: direct current	V							V								
	A							A								
	24	48	60	110	220	24	48	60	110	250	24	48	60	110	250	
	2*	1,2	0,85	0,4	0,25*	2	2*	1*	0,4	0,4*	2	2*	1*	0,4	0,4*	
Short circuit characteristics	1000*							1000*								
Fuse rating gG	500 V 10A*							10A*								
Contact insulation resistance	<25							<25								
Switching mechanism	Slow break double gap contacts															
Contact Duty	NC contact with positive opening															
Minimum tripping force	4N							4N								
Electrical life AC15/mil. cycles	1A/1,5 - 2A/0,5 - 3A/0,25							1A/1,5 - 2A/0,5 - 3A/0,25								
UL508 CHARACTERISTICS																
General use	10A-600V ac 2,5A-125V dc							10A-600V ac 2,5-125V dc								
Heavy duty (HD) category	A600 - Q600							A600 - Q600								

* IMQ values

COMPLEMENTARY PRODUCTS
 Switches - Disconnectors

COMPLEMENTARY PRODUCTS
 Position Switches


DESCRIPTION	RANGE	SCHEME	FEATURES
SQ032003DL1N			
Base fixing with direct command	AC-22A 32A-690V	 1L1 3L2 5L3 2T1 4T2 6T3 3 POLES	IEC 947-3, EN 60947-3, uL 508 Box fixing and DIN rail 50022-35 Black knob with locking in position O - OFF Protection Class Terminals IP20



DESCRIPTION	RANGE	SCHEME	FEATURES
SQ063003DL2N			
Base fixing with direct command	AC-22A 80A-690V	 1L1 3L2 5L3 2T1 4T2 6T3 3 POLES	IEC 947-3, EN 60947-3, uL 508 Box fixing and DIN rail 50022-35 Black knob with locking in position O - OFF Protection Class Terminals IP20



DESCRIPTION	RANGE	SCHEME	FEATURES
SQN125003B			
Base fixing with direct command	AC-22A 125A-690V	 1L1 3L2 5L3 2T1 4T2 6T3 3 POLES	IEC 947-3, EN 60947-3, uL 508 Box fixing and DIN rail 50022-35 Black knob with locking in position O - OFF Protection Class Terminals IP20

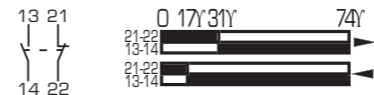
ELECTRICAL CHARACTERISTICS

CHARACTERISTICS IEC/EN60947-3			SQ032	SQ063	SQN125	
Rated insulation voltage U _i	V		690	690	800	
Rated impulse withstand voltage U _{imp}	kV		8	8	8	
Rated thermal current I _{th} -I _{the}	A		40	80	125	
Frequency	Hz		50/60	50/60	50/60	
RATED OPERATING CURRENT I_e:						
AC-21A Switching resistive loads with light overloads	690V	A	40	80	125	
AC-22A Switching mixed resistive and inductive loads at light overloads	690V	A	32	80	125	
AC-23A Periodic switching of motors or other overloads	230V	3 phases - 3 poles	A	32	75	-
			A	32	67	125/100
	400/500V	A	32	67	125/100	
	690V	A	20	32	47	
Nominal interruption power AC-23A (cosφ 0,45)	400V	A	256	536	1.000 (cosφ 0,35)	
Short circuit characteristics		kA	10	10	10	
Fuse rating gG	690V	A	40	63	125	
Terminal capacity		Flexible conductors	mm ²	1,5-10	6-25	10-70
		Solid conductors	mm ²	1,5-16	10-35	10-70
		AWG		12-8	10-2	6-2/0
General Use UL 508	600Vac	A	40	80	125	

■ Standard version 3 poles, possible extra mounting of three types of contacts: power contacts, neutral, ground and auxiliaries contacts NC and NO.
 ■ cUL approvals on SQ032 and SQ063 Series.

DESCRIPTION	STROKE AND OPERATION DIAGRAM
-------------	------------------------------

Variable length roller lever Ø 18
 Minimum tripping force 0,10 N



DESCRIPTION	STROKE AND OPERATION DIAGRAM
-------------	------------------------------

Variable length roller lever Ø 45
 Minimum tripping force 0,10 N



DESCRIPTION	STROKE AND OPERATION DIAGRAM
-------------	------------------------------

Variable length roller lever Ø 45
 Minimum tripping force 0,10 N



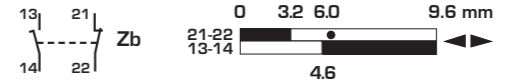
DESCRIPTION	STROKE AND OPERATION DIAGRAM
-------------	------------------------------

Overlapping slow action contacts 1NO+1NC
 Positive opening operation according to IEC 947-5-1

Nylon Ø 20mm. roller plunger

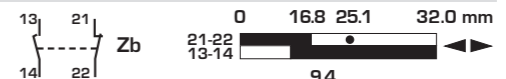

DESCRIPTION	STROKE AND OPERATION DIAGRAM
-------------	------------------------------

Non Overlapping slow action contacts 1NO+1NC
 Positive opening operation according to IEC 947-5-1

Nylon Ø 20mm. roller plunger


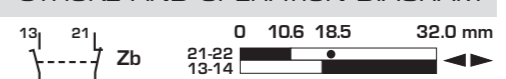
DESCRIPTION	STROKE AND OPERATION DIAGRAM
-------------	------------------------------

Overlapping slow action contacts 1NO+1NC
 Positive opening operation according to IEC 947-5-1

Metal plunger with adjustable nylon roller lever Ø 22mm.


DESCRIPTION	STROKE AND OPERATION DIAGRAM
-------------	------------------------------

Non Overlapping slow action contacts 1NO+1NC
 Positive opening operation according to IEC 947-5-1

Metal plunger with adjustable nylon roller lever Ø 22mm.

CHARACTERISTICS

Comply with: UL508 (Designation A600-Q600) IEC 947-5-1, EN 60947-5-1, CSA 22.2 N°14

Certification: cUL

Rated insulation voltage U_i: 690V

Rated thermal current I_{th}: 10A

Rated operating current I_e:
 AC-15 (24V-10A/120V-6A/230V-3,1A/380V-1,9A)

DC-13 (24V-2,8A/120V-0,55A/230V-0,27A)

Snap action contacts IP65

COMPLEMENTARY PRODUCTS
COMPLEMENTARY PRODUCTS
 Push buttons - Buzzer

CAM SWITCH PO16 Series


DESCRIPTION	CODE	SWITCHING	SCHEME
Normal inspection cam switch double positive open IP20	P0160100S		
	P0160101S		
	P0160112S		
	P0160138S		

CHARACTERISTICS

Certifications:	cUL, IMQ, CCC, EAC, RINA	Protection Class Terminals:	IP20
Comply with rules:	IEC 947-3, EN 609473 UL508	Flexible conductors mm ² :	n.1 x 0,75/4 n.2 x 0,75/2,5
Rated insulation voltage Ui:	690V	Solid conductors mm ² :	n.1 x 0,75/4 n.2 x 0,75/2,5
Rated thermal current Ith/lthe:	20A / 16A	AWG:	
Rated operating current Ie:		Flexible	16 - 12
AC-21A - AC-22A	16A - 690V	Solid	16 - 12
DC-21A (1 pole)	12A - 50V	General use UL:	16A - 600Vac
DC-22A (1 pole)	10A - 30V		

GME01

DESCRIPTION	FEATURES
-------------	----------


 Breaking glass
 emergency panel

IP55

 Dimensions: 110x110x57
 Colour: Red
 Contact blocks: 1NC + 1NO with screw terminals
 Double option: automatic start upon breaking glass (one action);
 manual start after breaking glass (two actions)
 Green pilot light for localizing (Led 230V AC on request)
 Red Light push button (BA9s lamp 230V AC on request)
 Contacts in conformity to: IEC 947-5-1, EN 60947-5-1, UL 508
 Vibration resistance: EN 60068-2-27
 Shock resistance: EN 60068-2-29
 Certifications: cUL, IMQ, CCC, EAN, RINA

GME13

DESCRIPTION

 Pilot light
 for GME01

GME14

DESCRIPTION

 Push button
 for GME01

11705068

DESCRIPTION

 Protection ring Ø 35
 for logo

PUSH BUTTONS Black Line

CODE	DESCRIPTION
------	-------------

 PPRN3ABL
IP65
 Yellow flush
 push button
 ALARM


CODE	DESCRIPTION
------	-------------

 PPRN4BL/COM
IP65
 Blue flush
 push button
 COMMON


CODE	DESCRIPTION
------	-------------

 PPRN8BL/F
IP65
 Black flush
 push button
 DOWN


CODE	DESCRIPTION
------	-------------

 PPDNR.7BL
IP65
 Dual
 push button
 UP-DOWN


CODE	DESCRIPTION
------	-------------

 PPRN8LBL
IP65
 Black flush
 push button
 LIGHT


CODE	DESCRIPTION
------	-------------

 PPRN5BL/F
IP65
 White flush
 push button
 UP


CODE	DESCRIPTION
------	-------------

 PPDNR.3BL
IP65
 Multi-function
 UP-STOP-DOWN


CODE	DESCRIPTION
------	-------------

 PPDNR.9ABL
IP65
 Dual
 push button
 LEFT-RIGHT

11706006

DESCRIPTION

 Mushroom
 guard

11705051

DESCRIPTION

 Knob guard Ø 42
 for cam switches

11705075

DESCRIPTION

 Knob guard Ø 50
 for cam switches

PPESV812

DESCRIPTION

 Buzzer
 AC/DC
 12-24V
 90db/30cm
 continuous
 tone

IP65


DIMENSIONS - TECHNICAL DRAWINGS GM Series

GMO1FN3 Weight 180 gr
GMO1RN3A
GMO1RN3A.1A

GMO1P4NP Weight 240 gr
GMO1P4SP
GMO1RN4NP
GMO1R4N

GM355 Weight 110 gr

GM092 Weight 230 gr

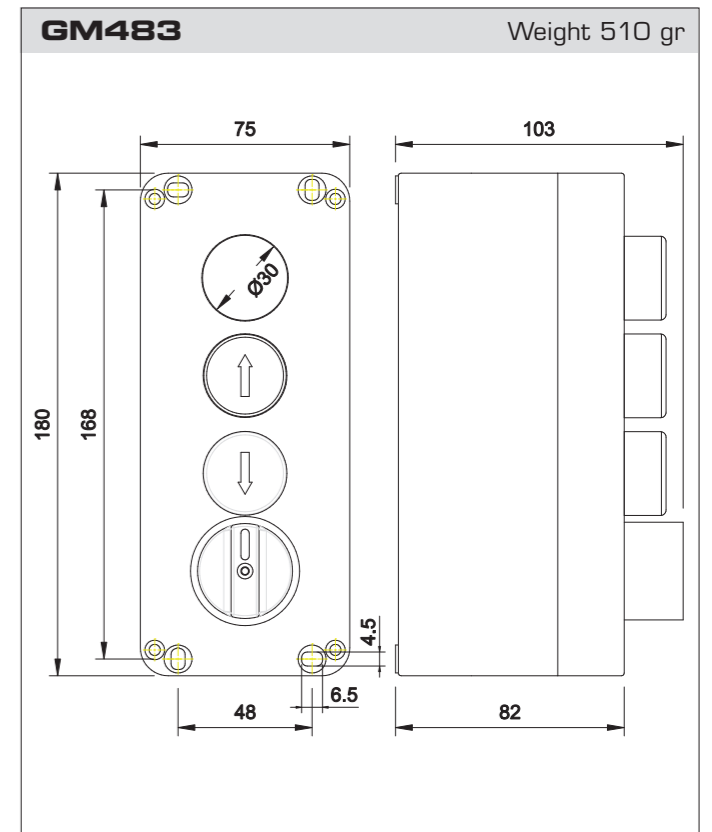
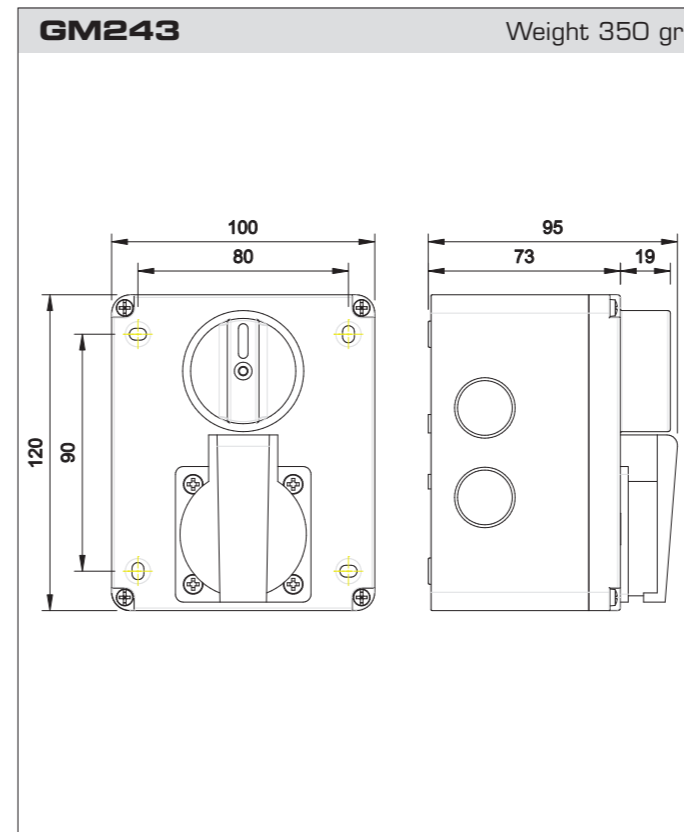
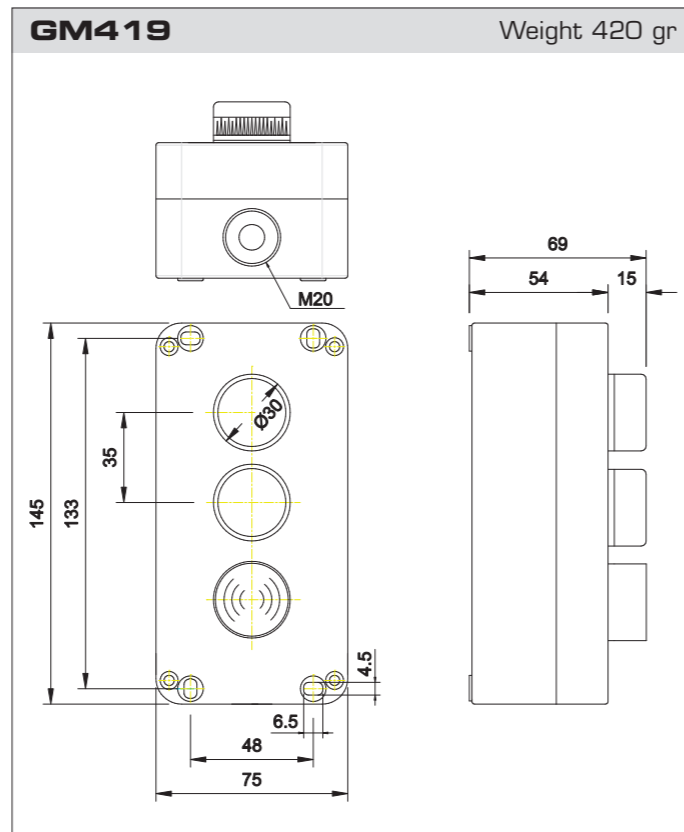
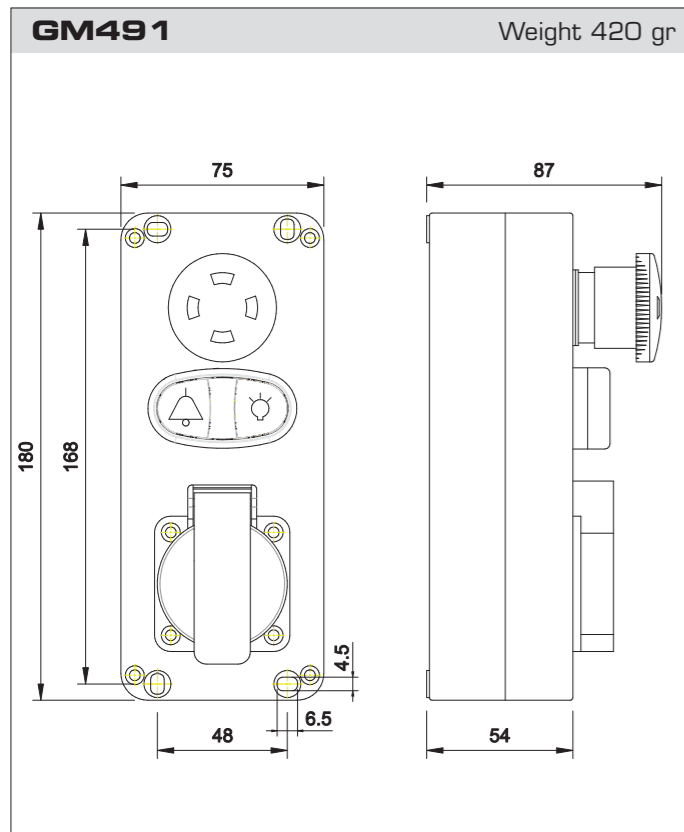
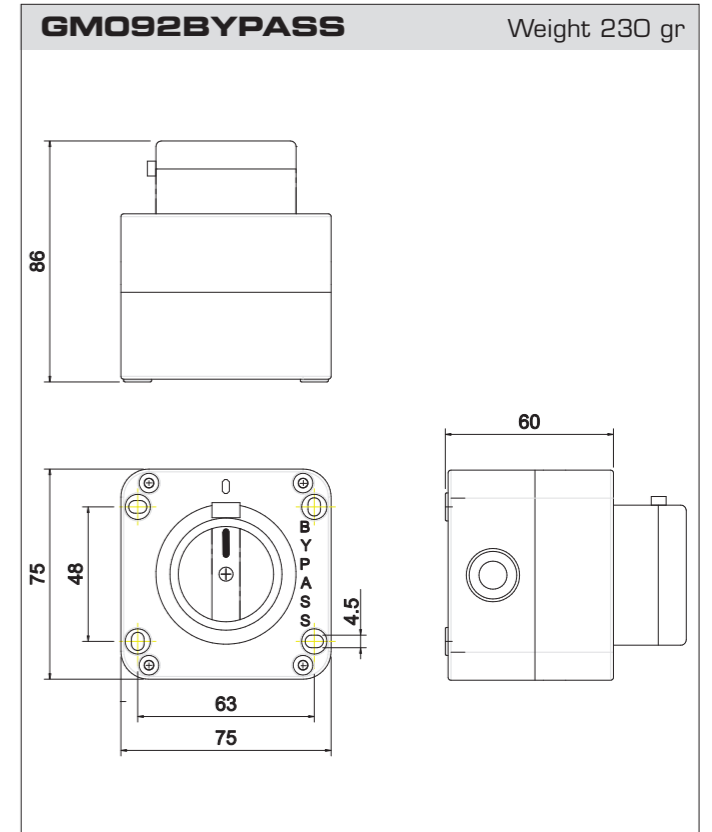
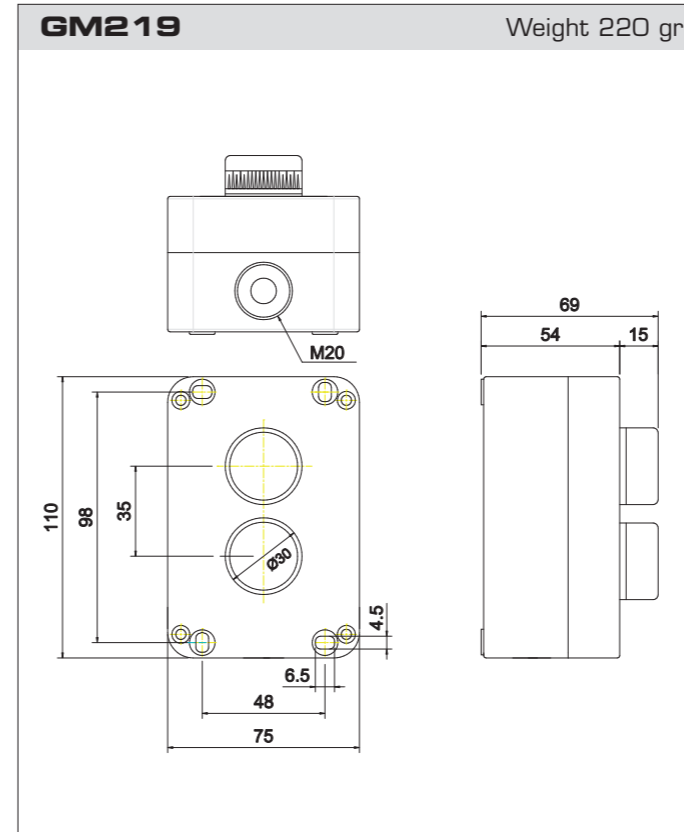
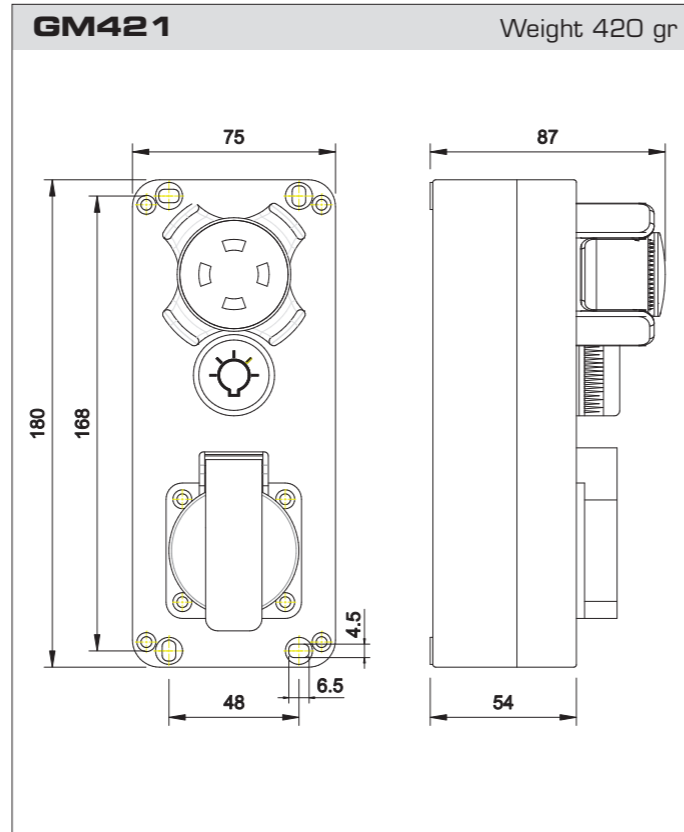
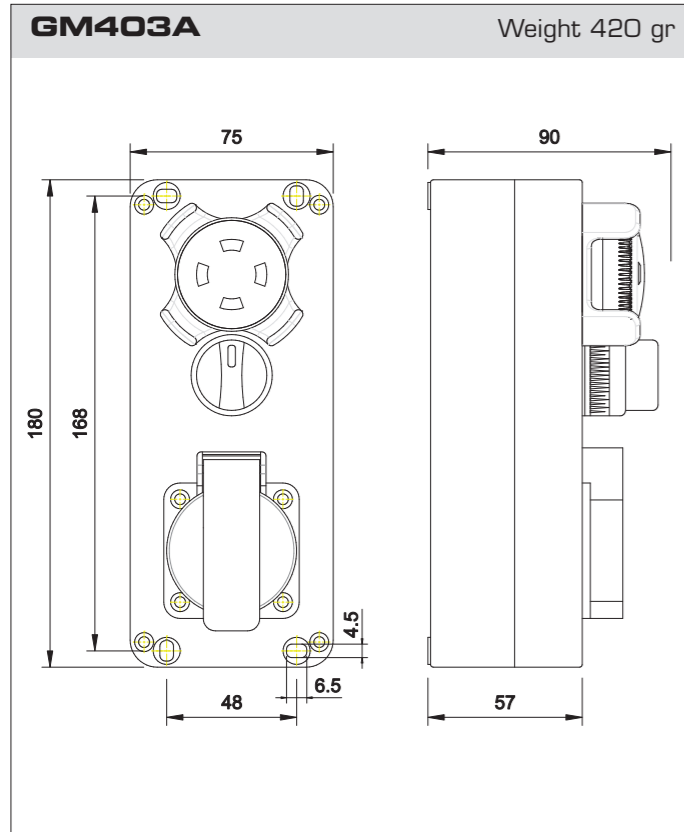
GM353 Weight 120 gr

GM354 - GM356 Weight 130 gr

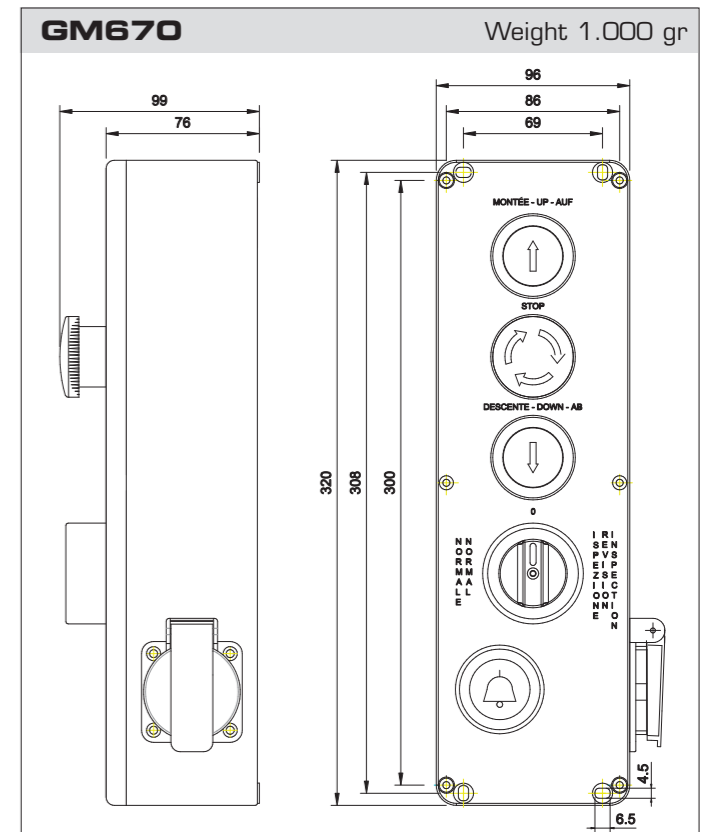
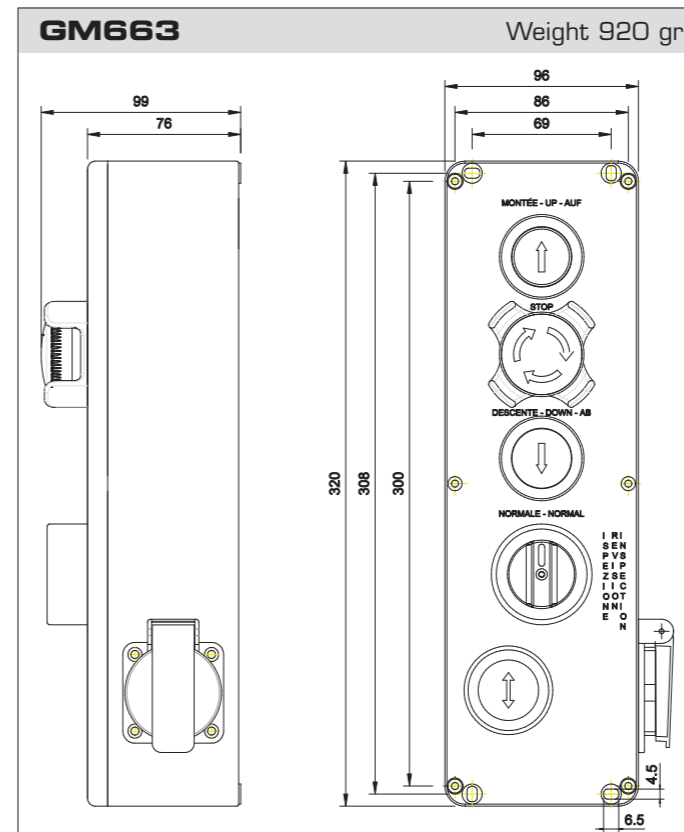
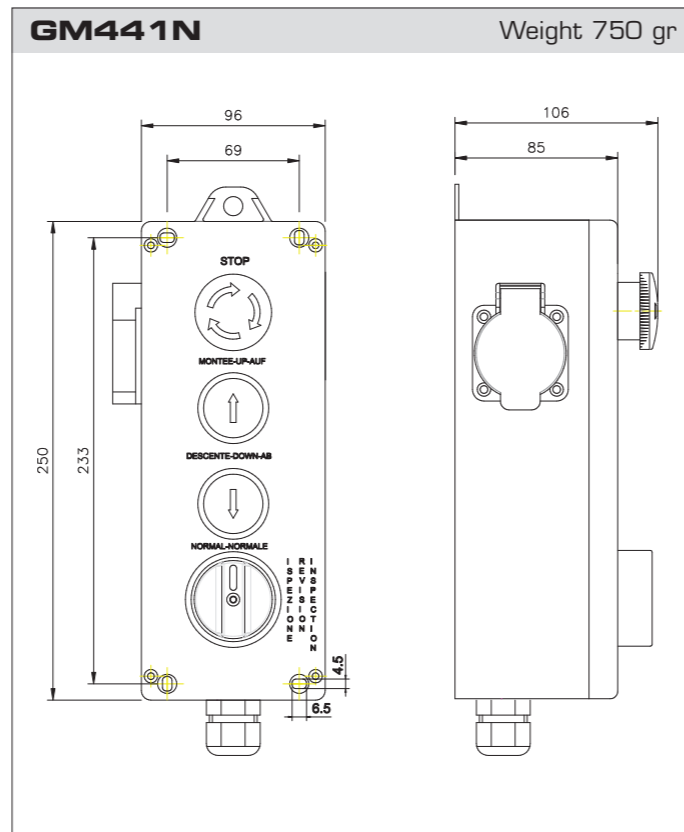
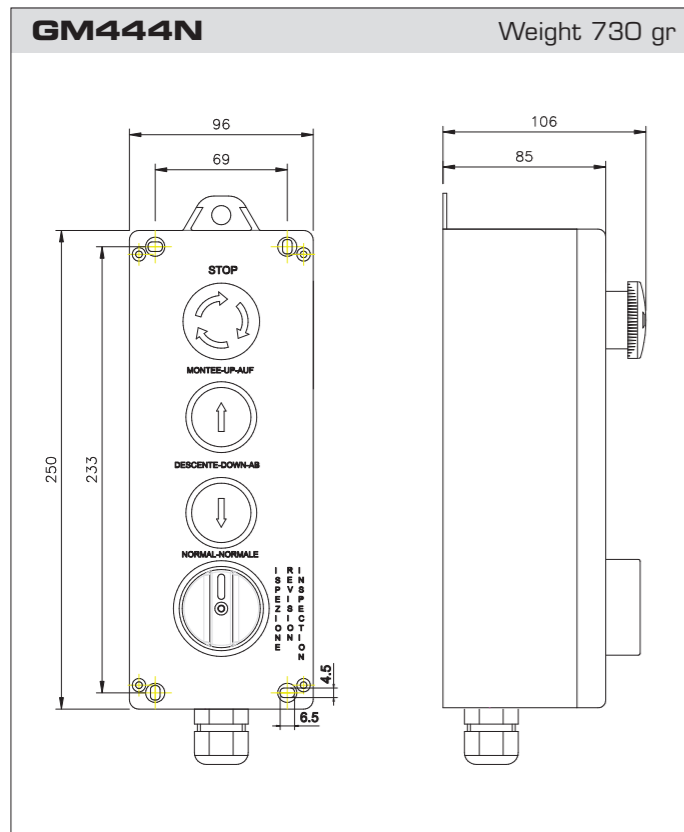
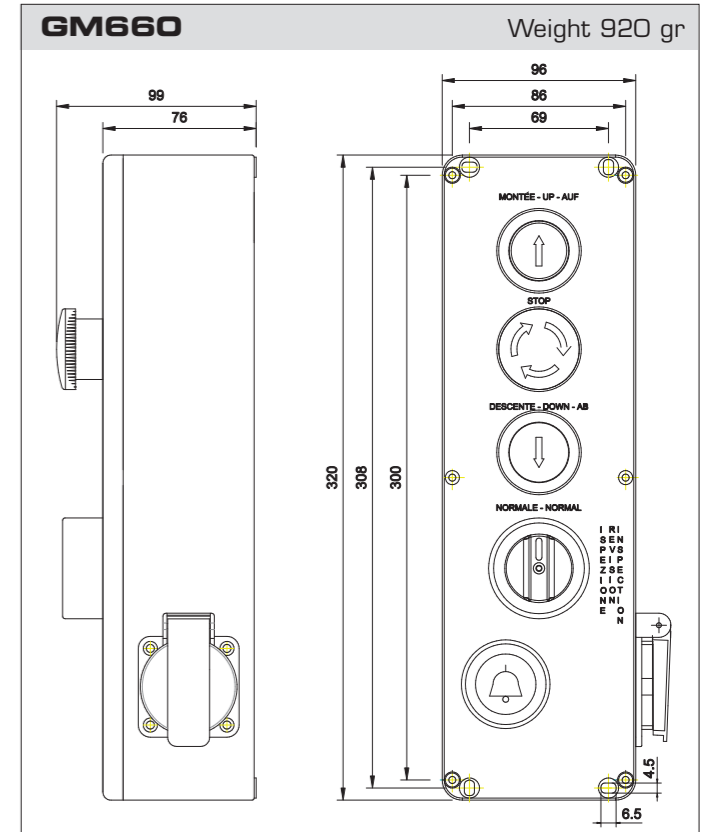
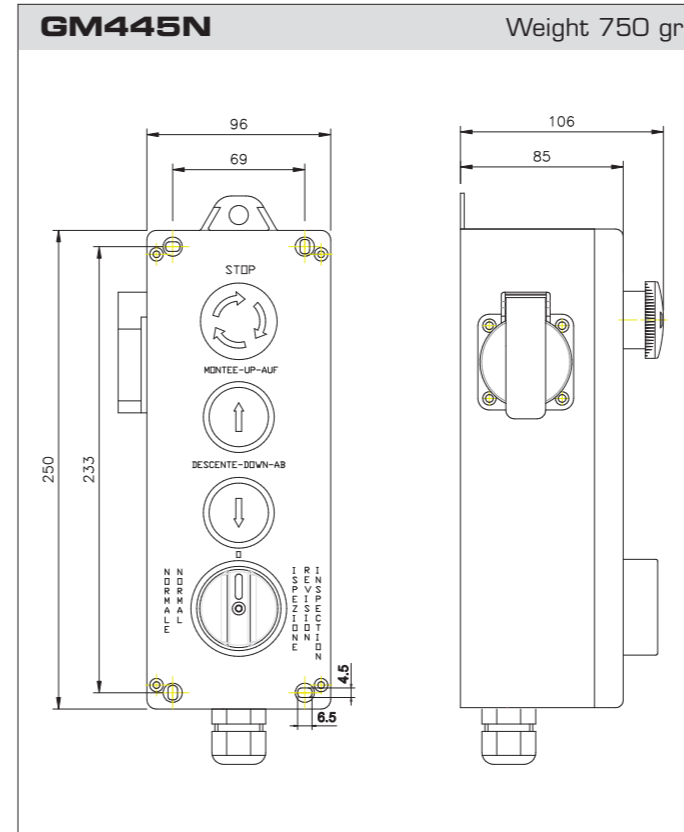
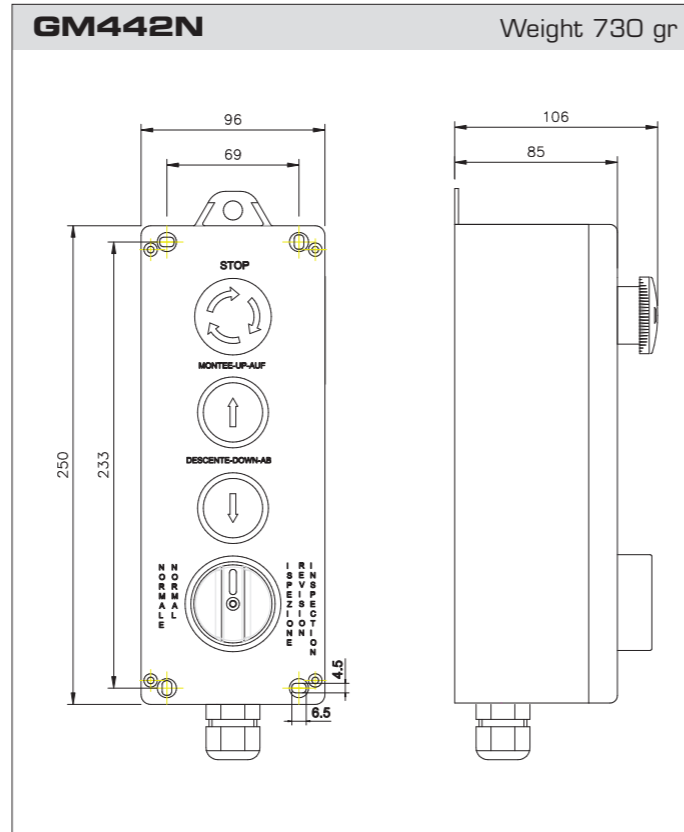
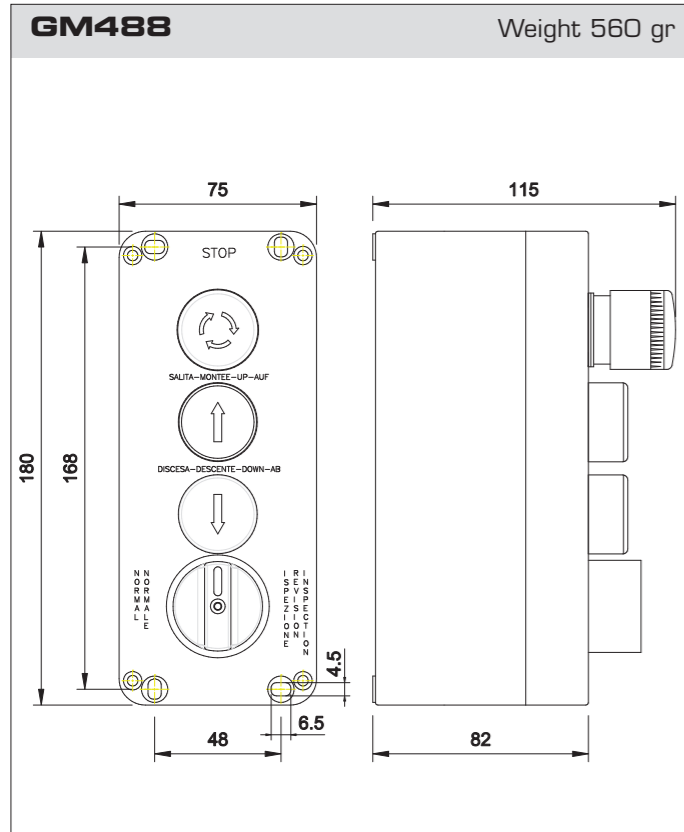
GM406/EU Weight 380 gr

GM401 Weight 400 gr

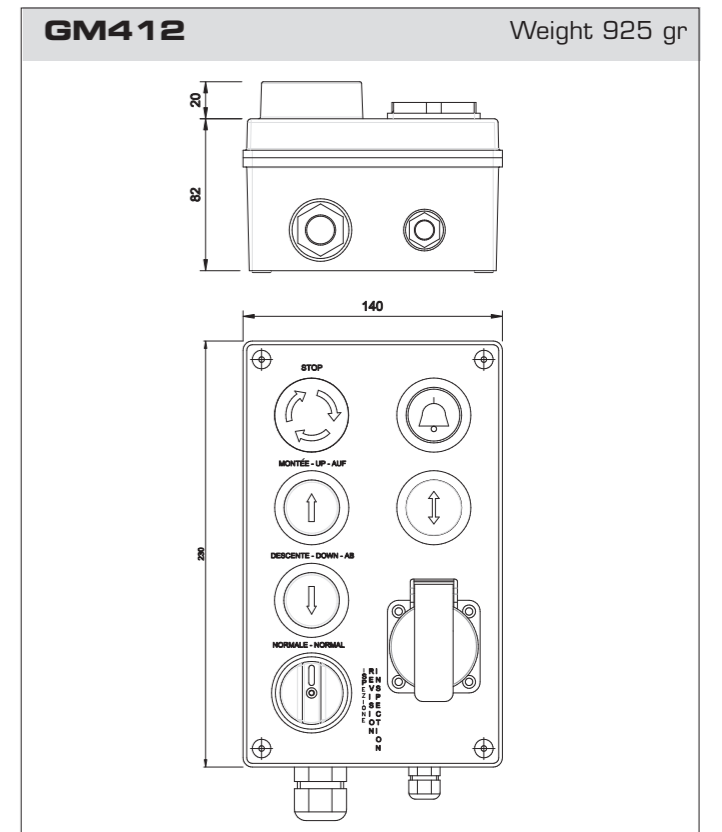
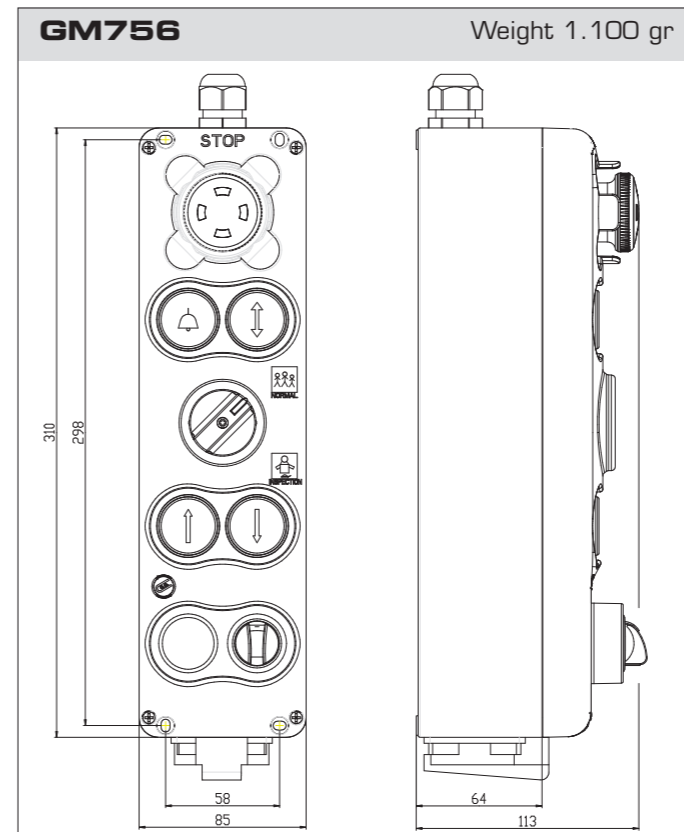
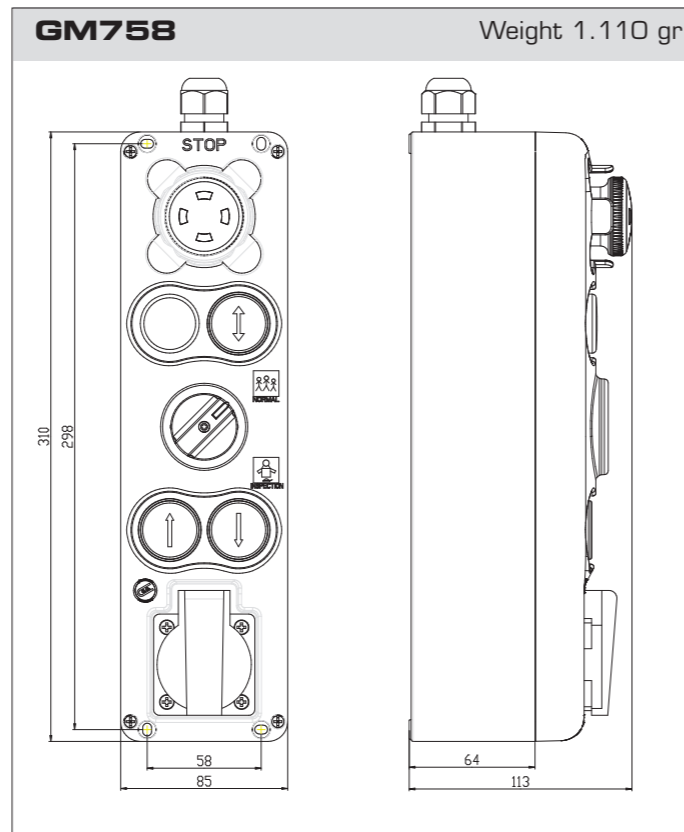
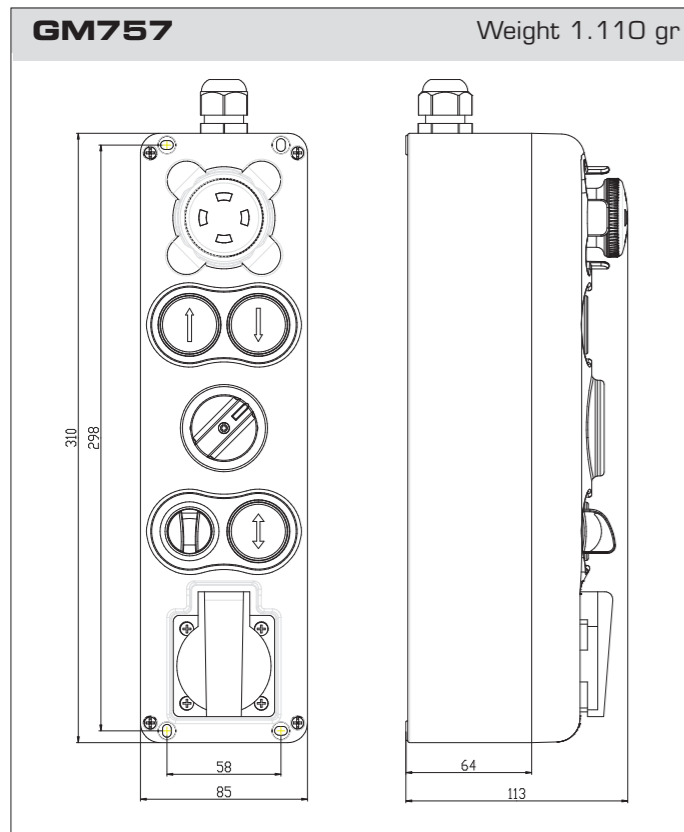
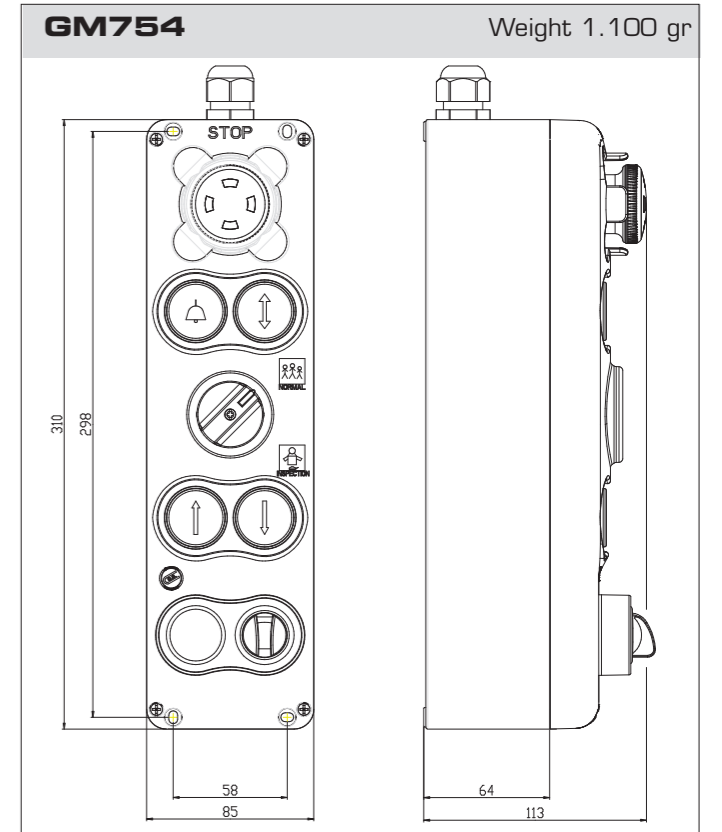
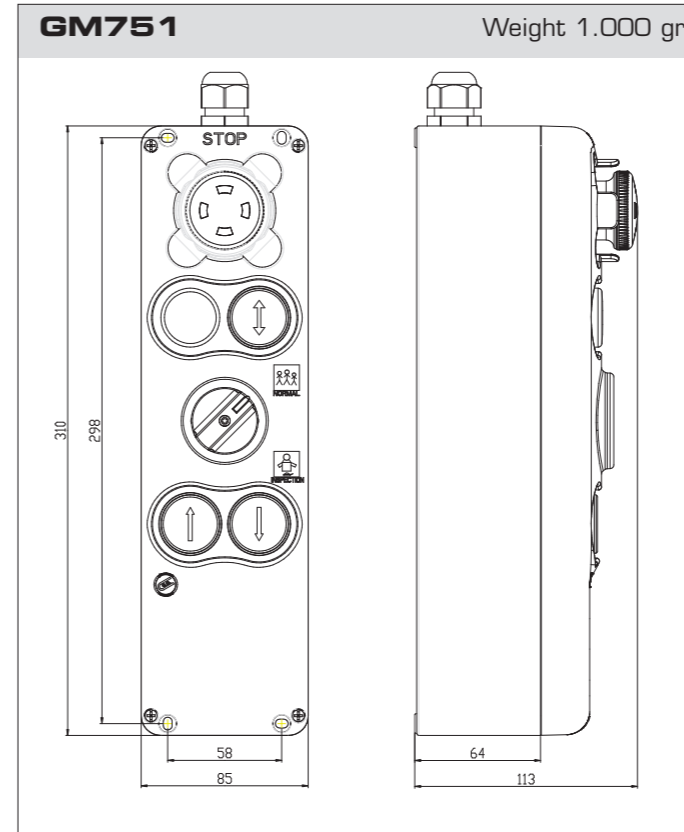
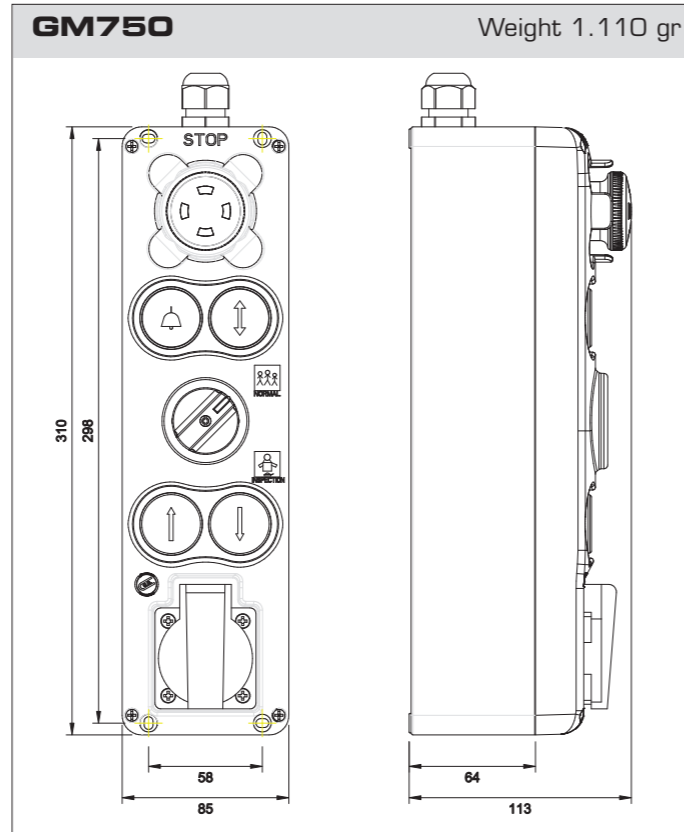
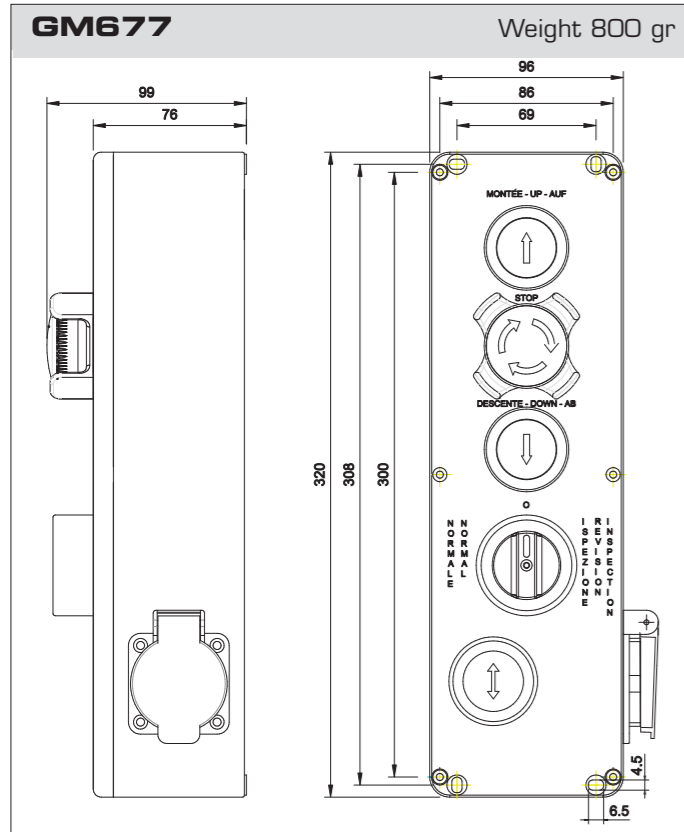
DIMENSIONS - TECHNICAL DRAWINGS GM Series



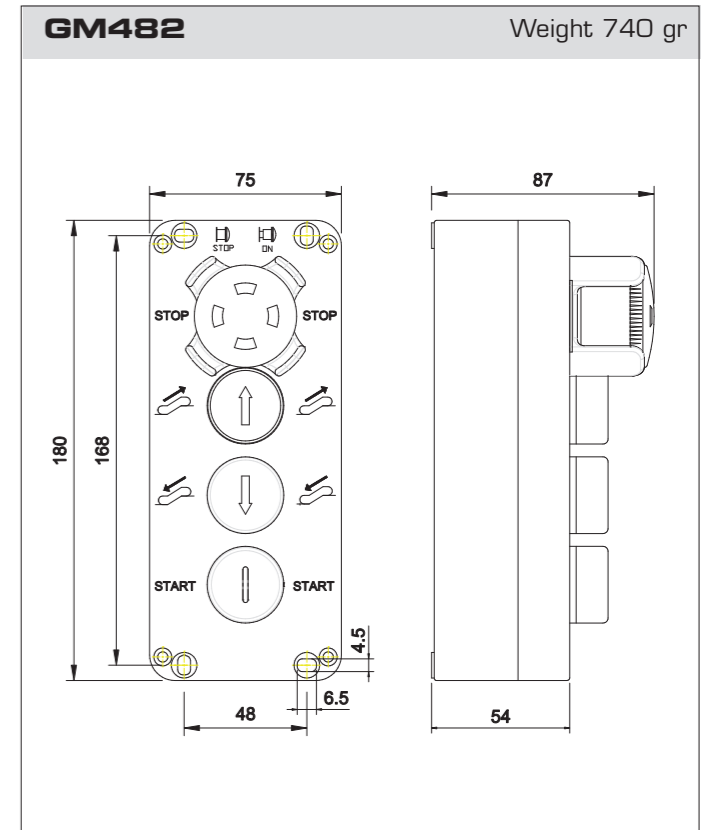
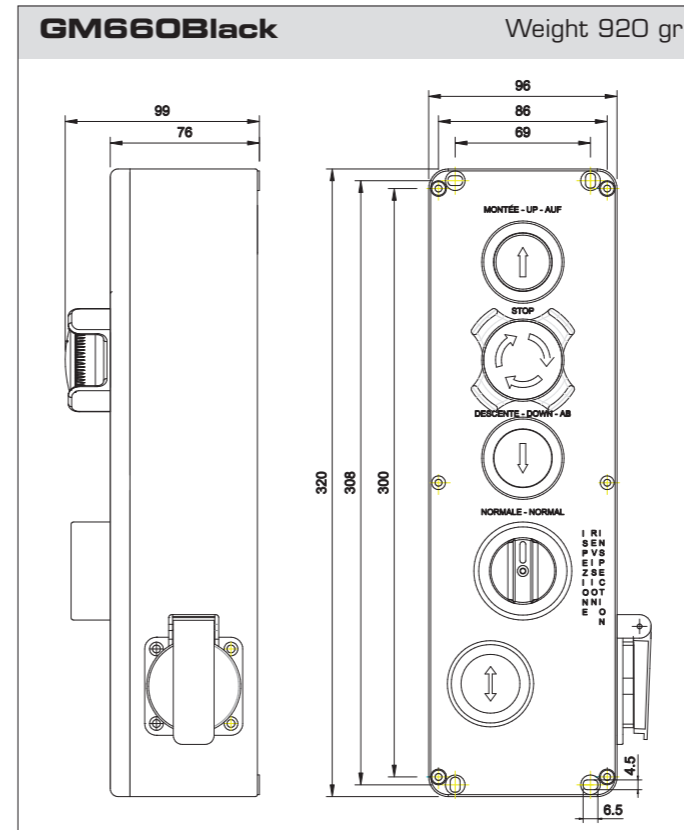
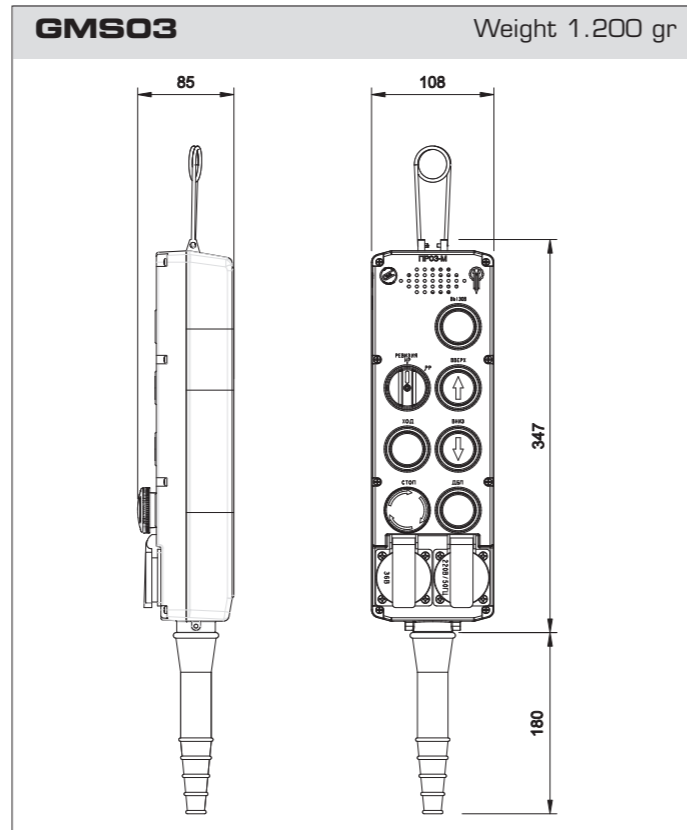
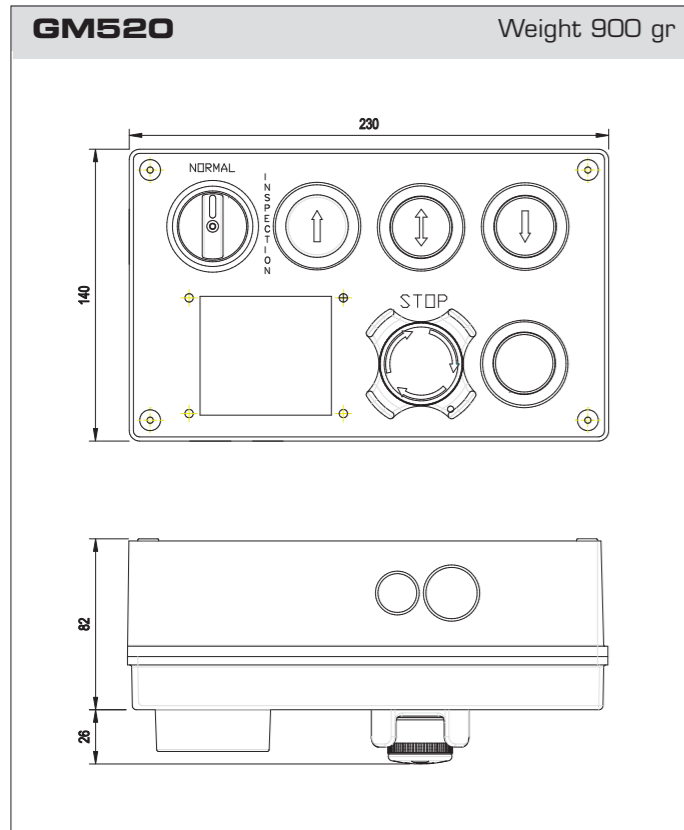
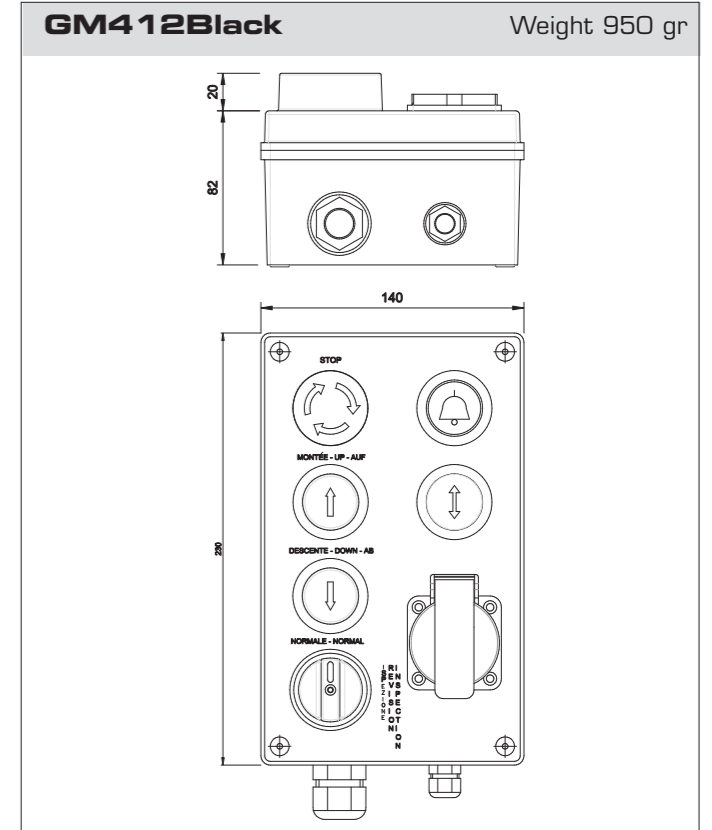
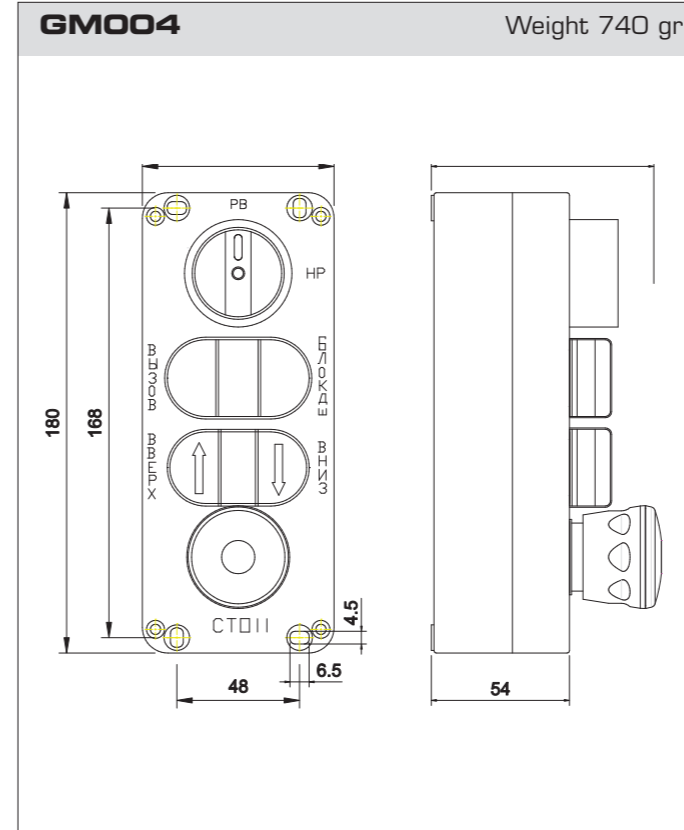
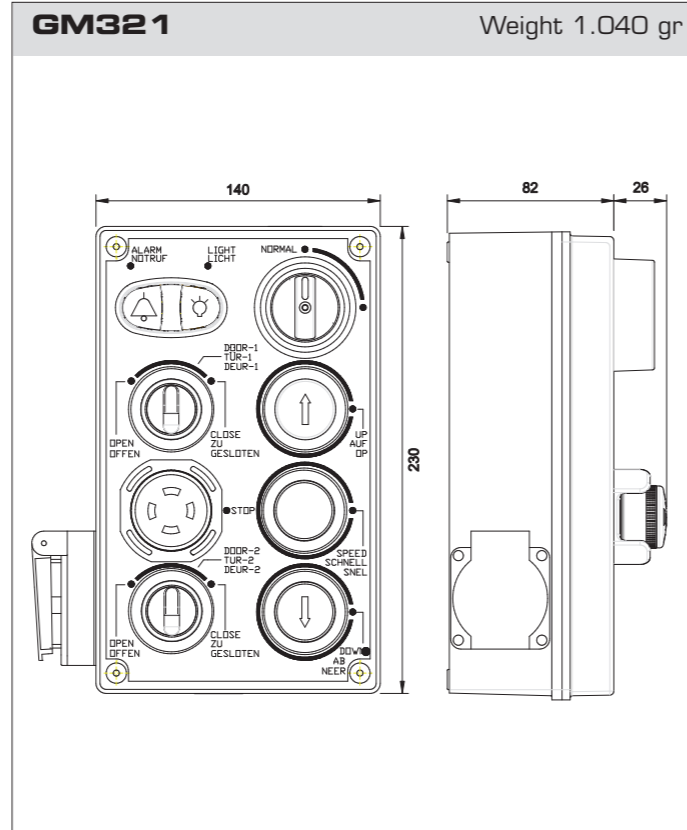
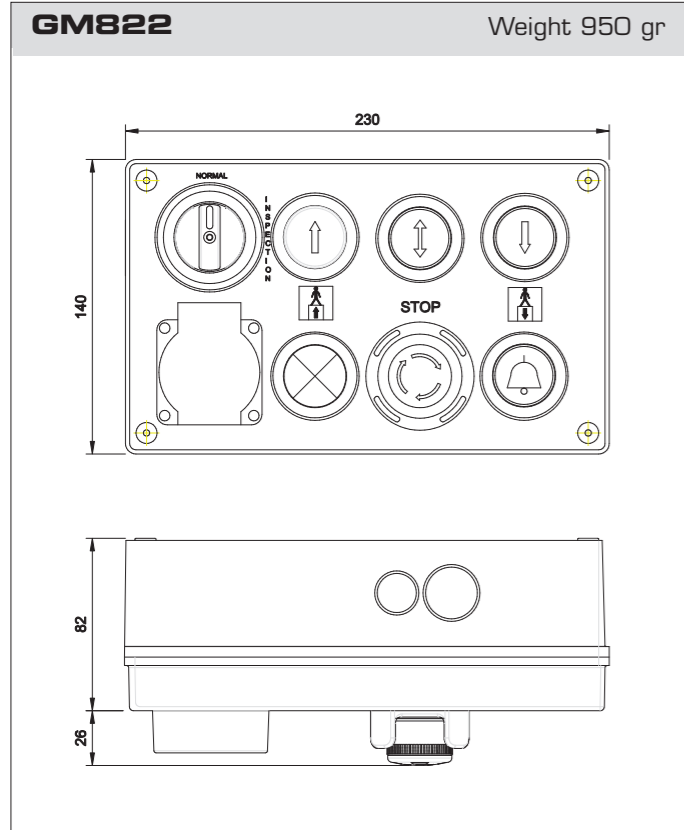
DIMENSIONS - TECHNICAL DRAWINGS GM Series



DIMENSIONS - TECHNICAL DRAWINGS GM Series

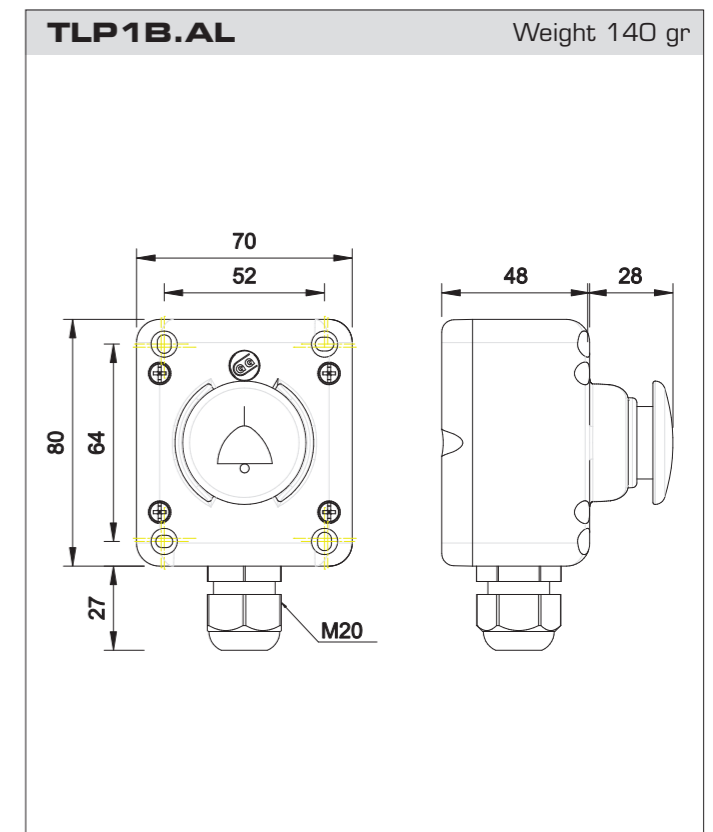
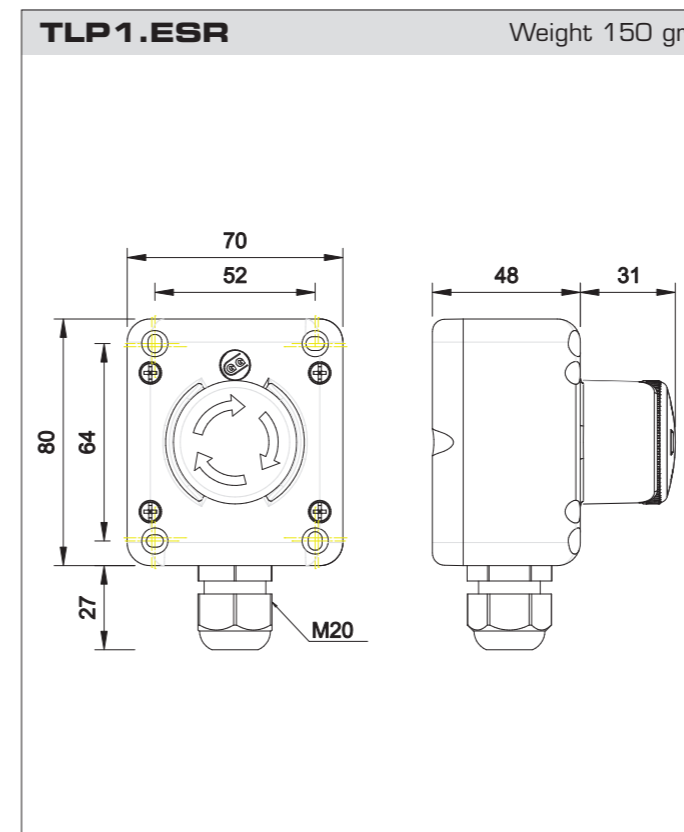
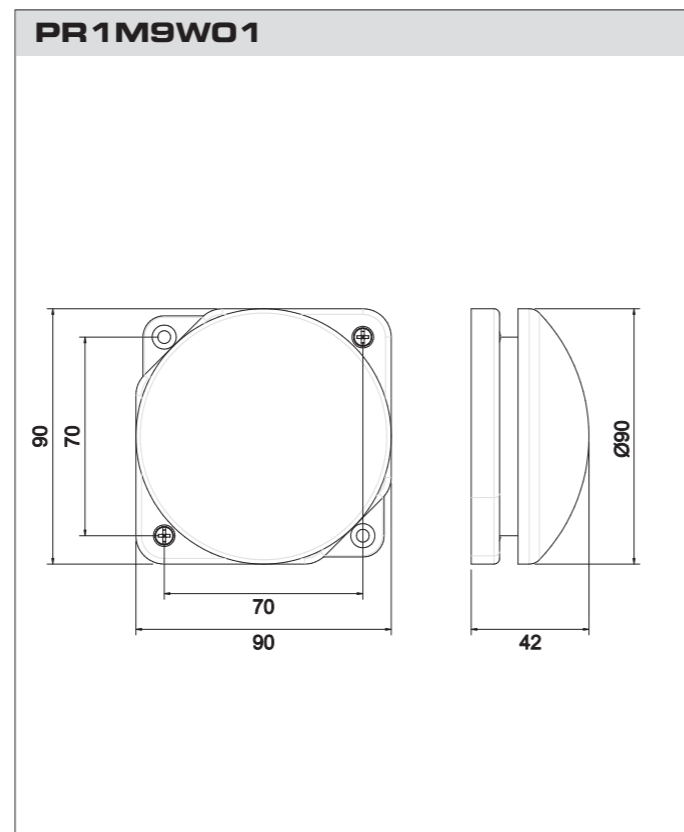
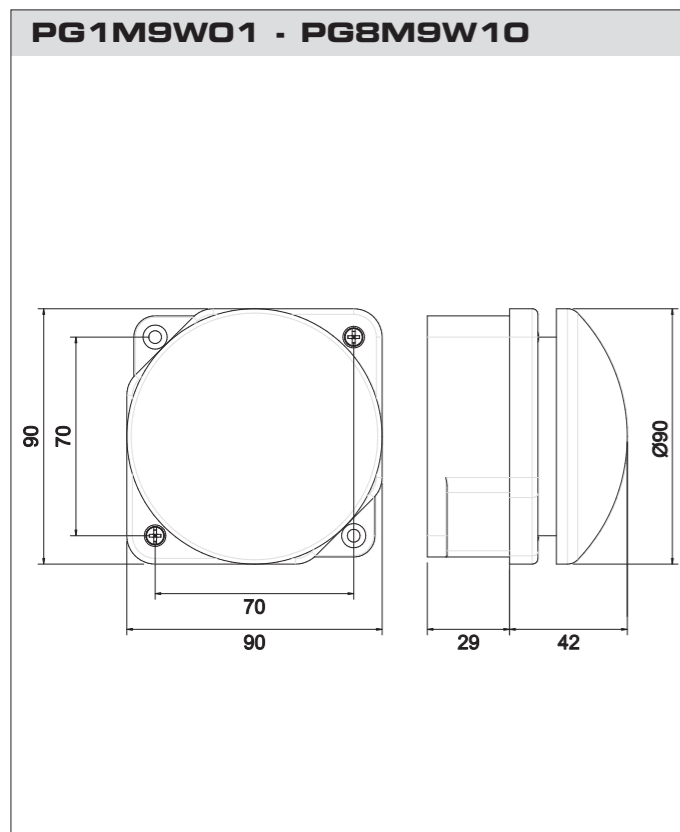
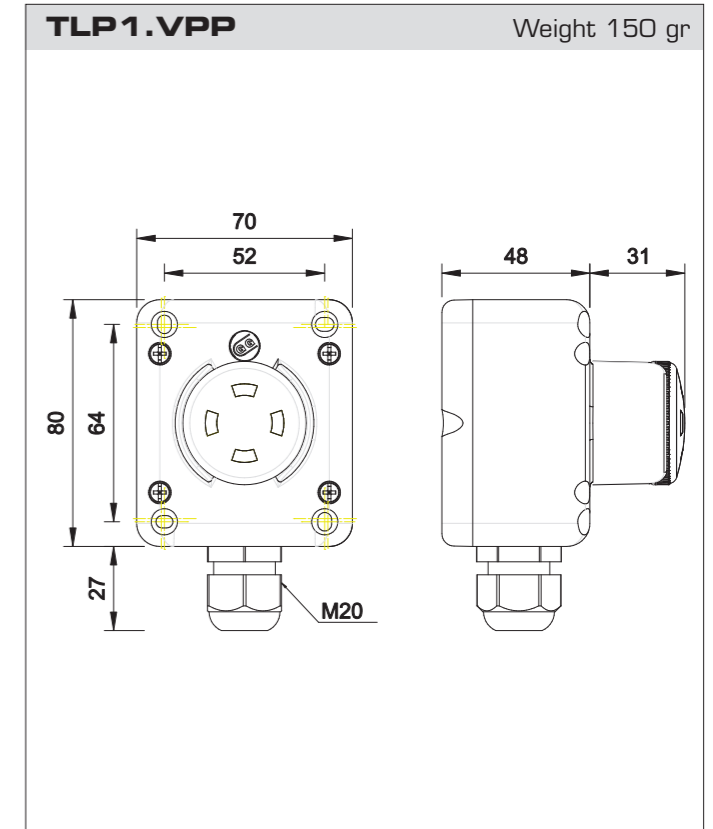
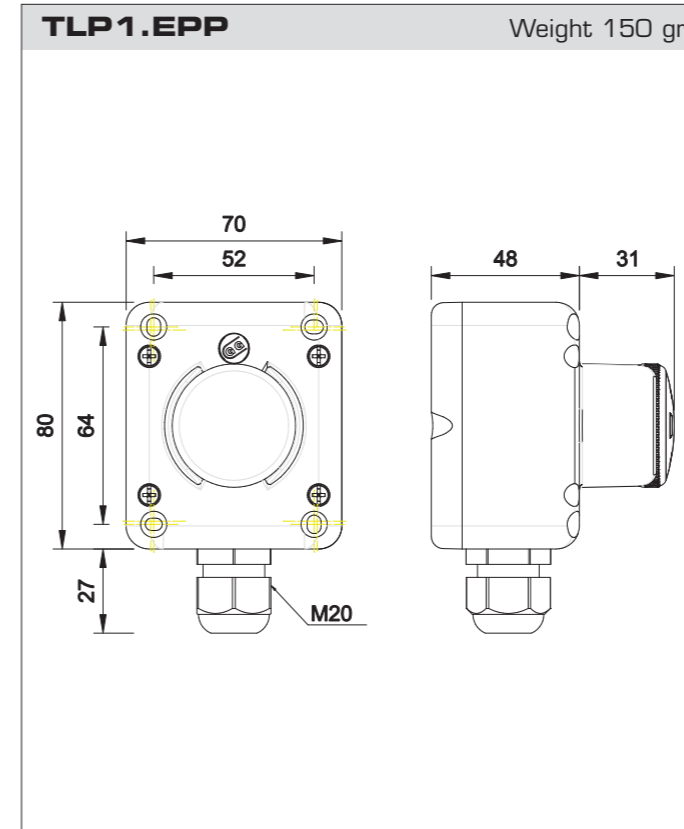
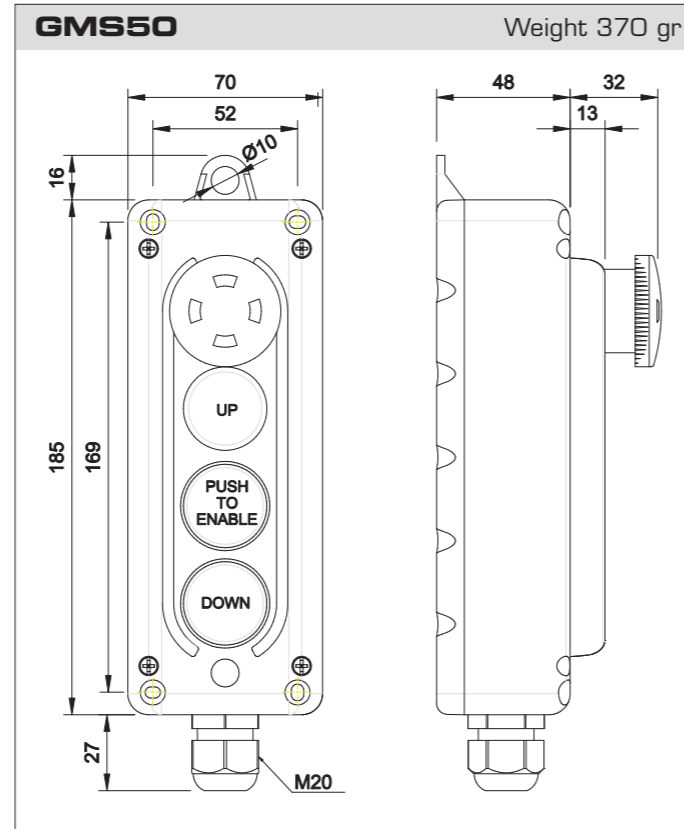
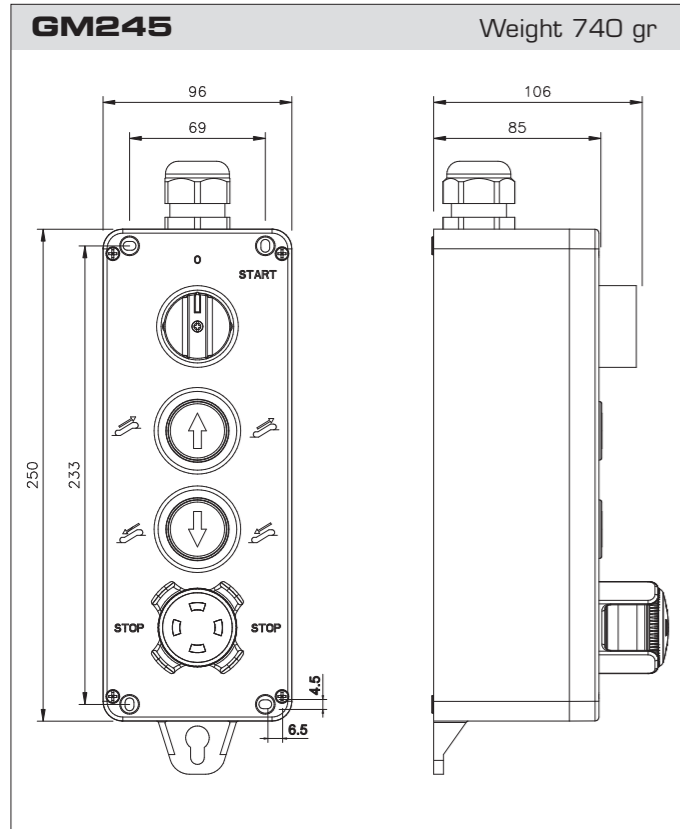


DIMENSIONS - TECHNICAL DRAWINGS GM Series

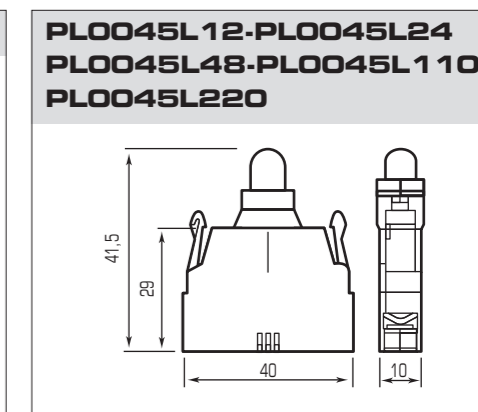
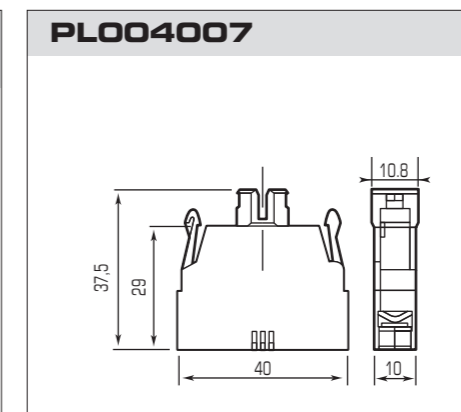
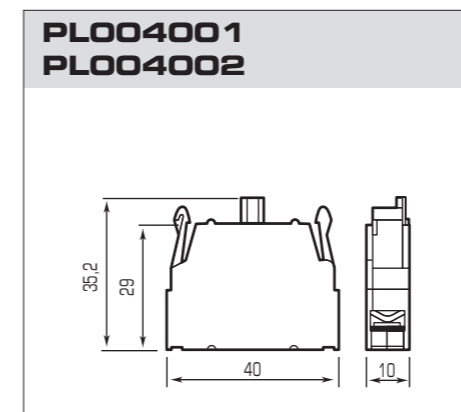
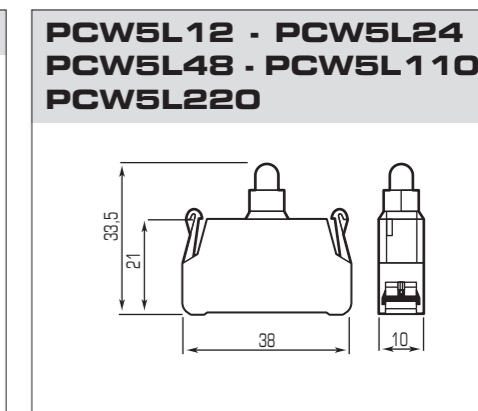
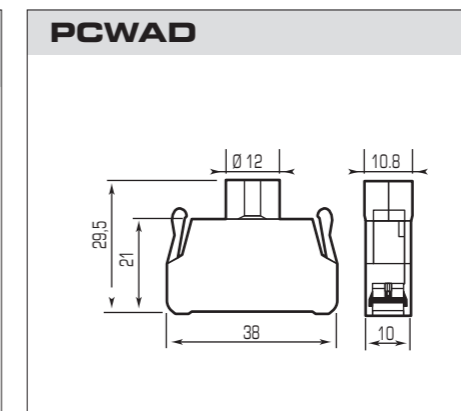
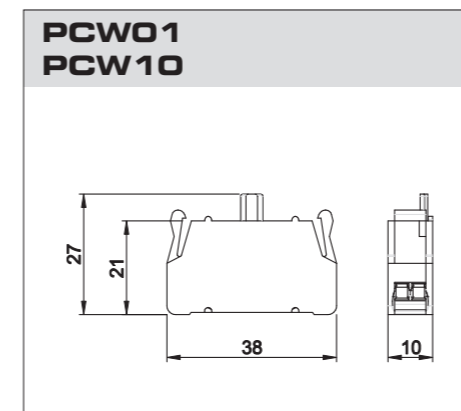
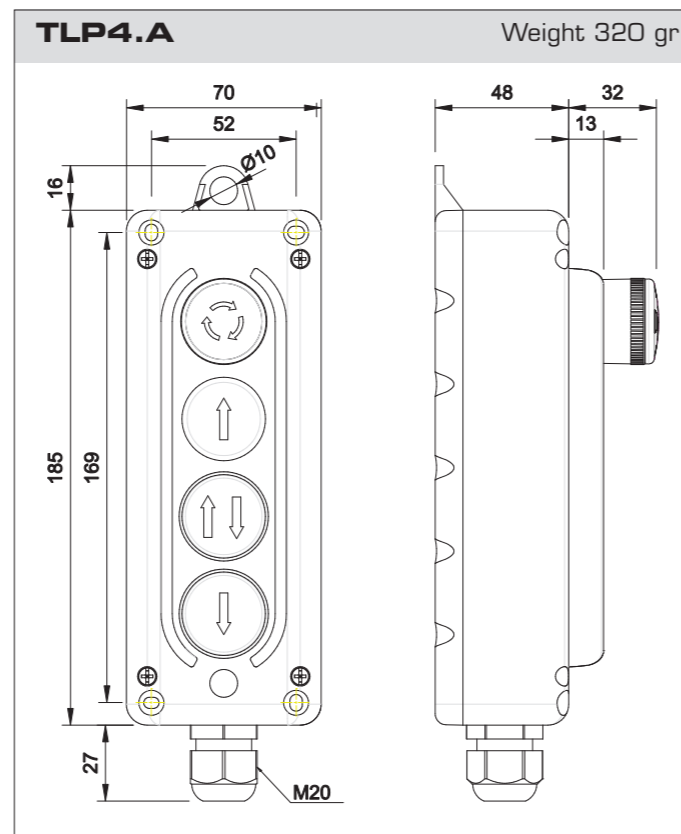
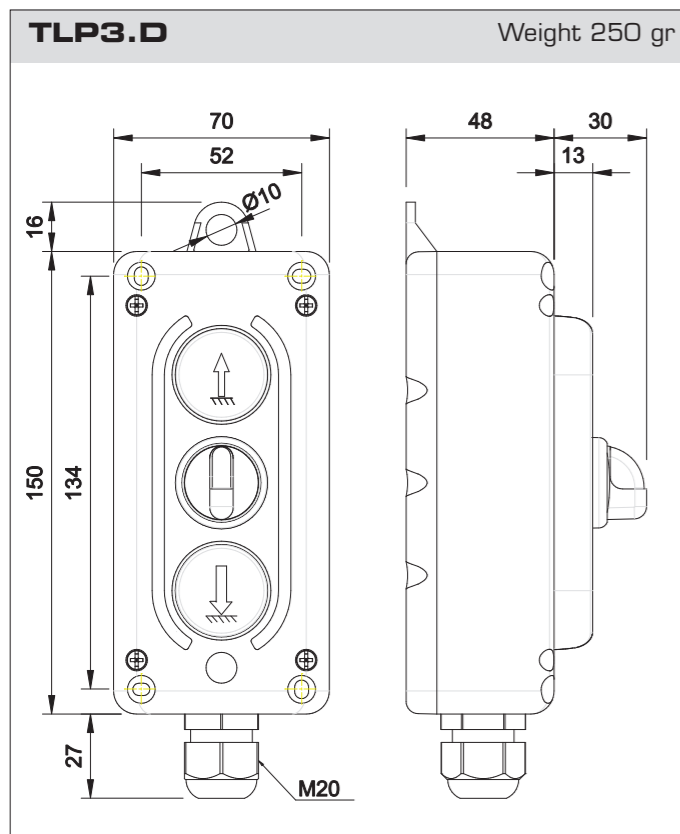
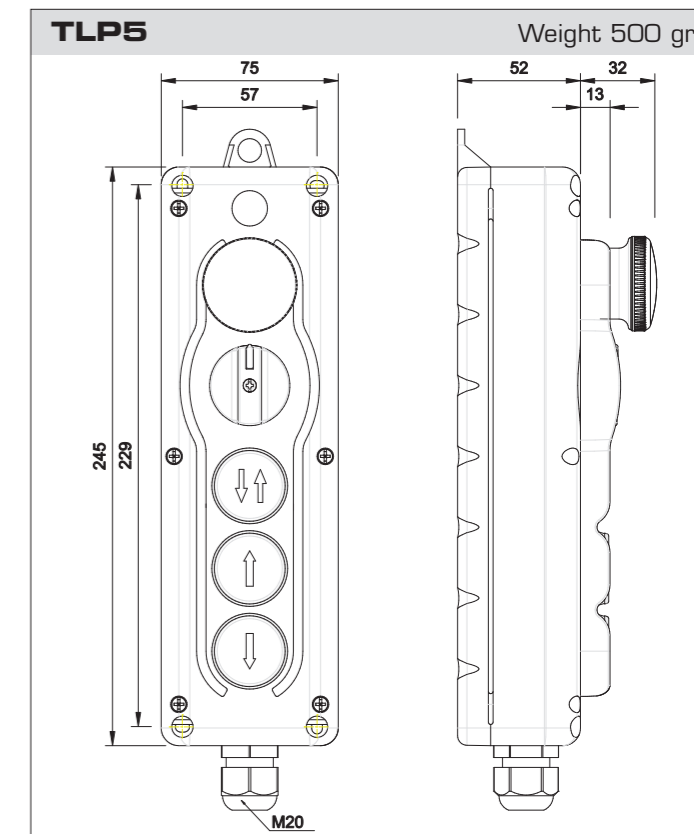
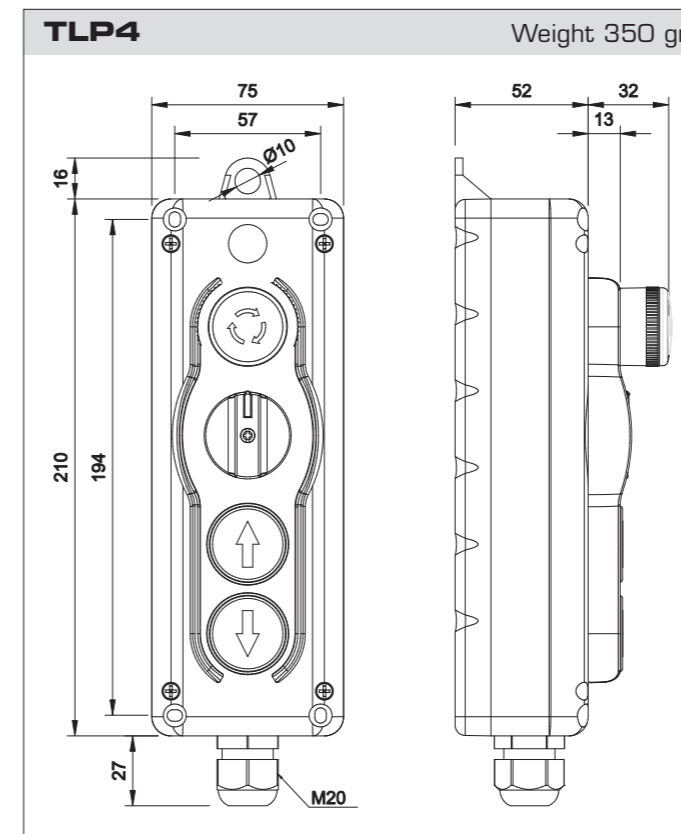
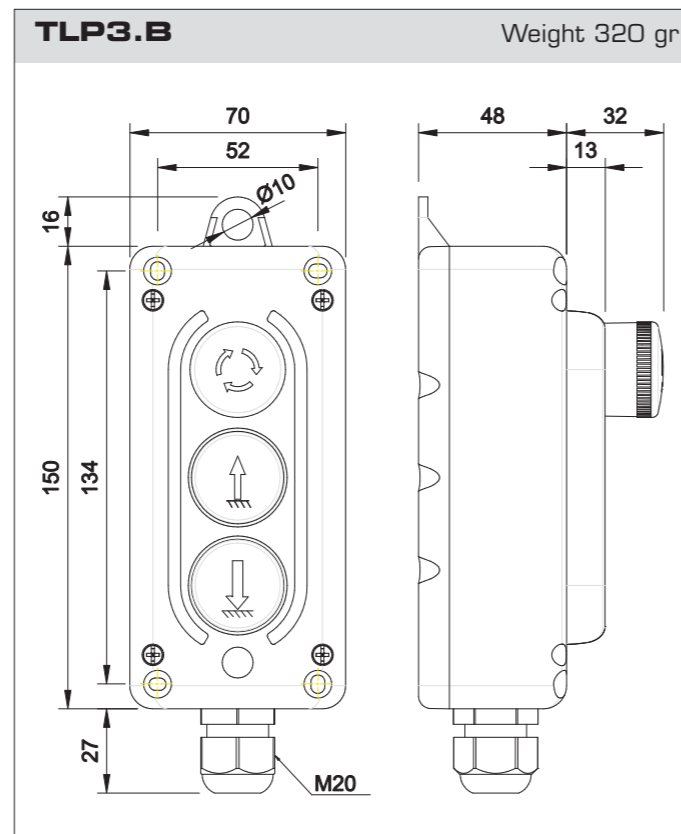
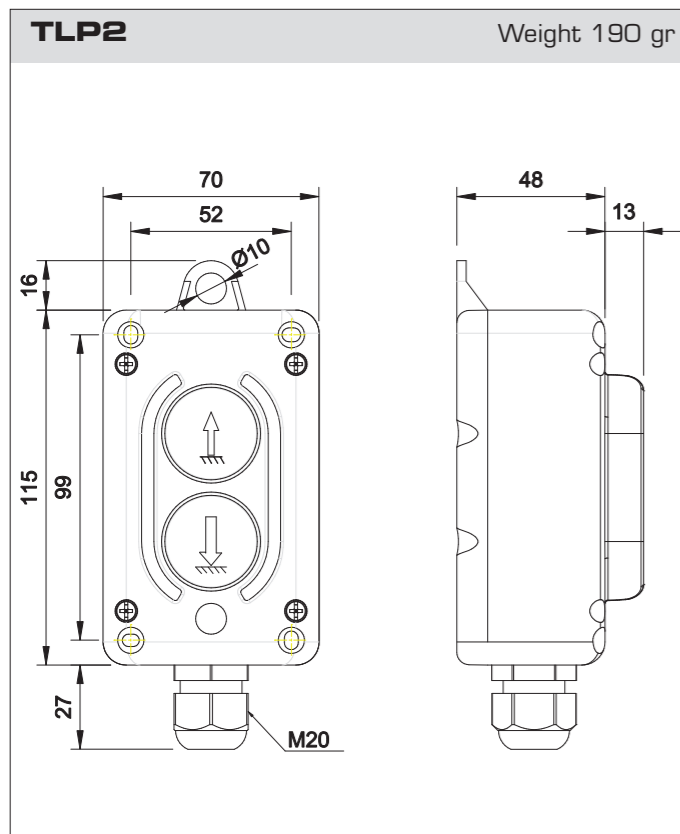


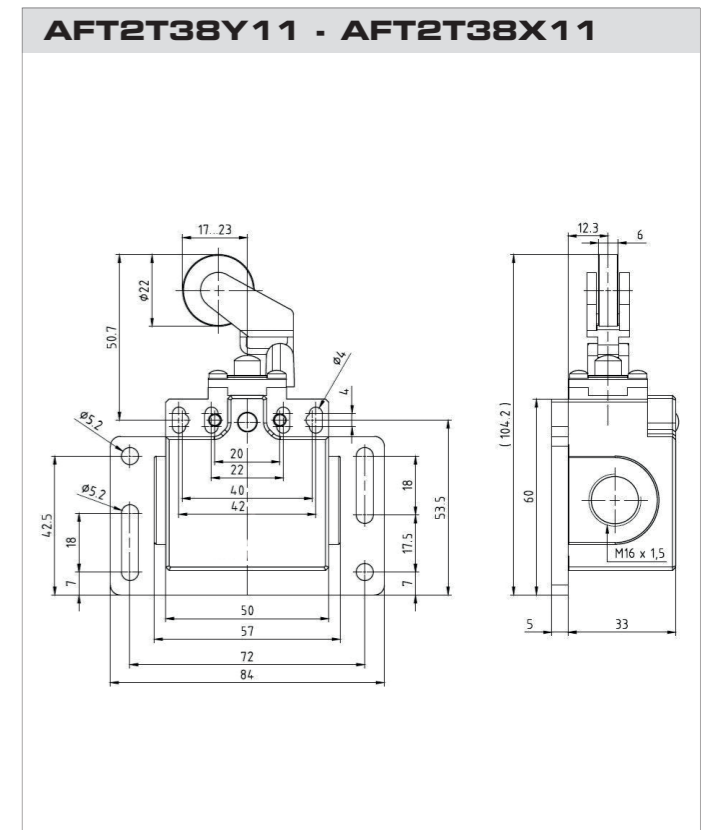
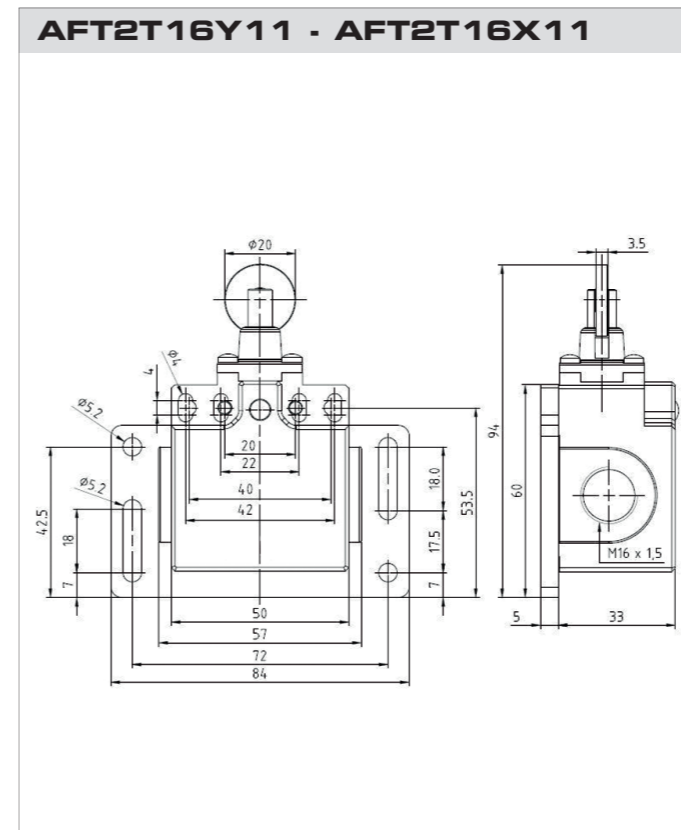
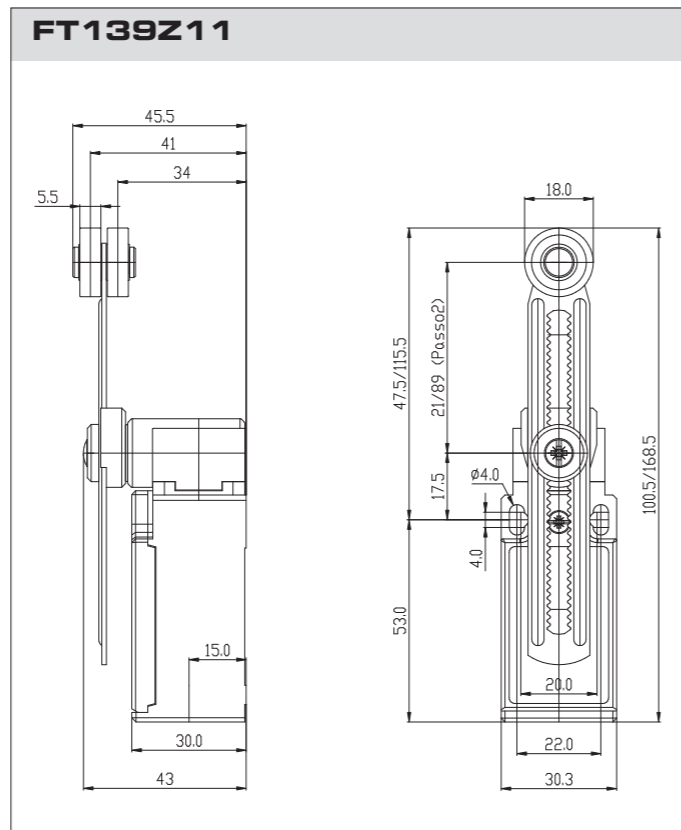
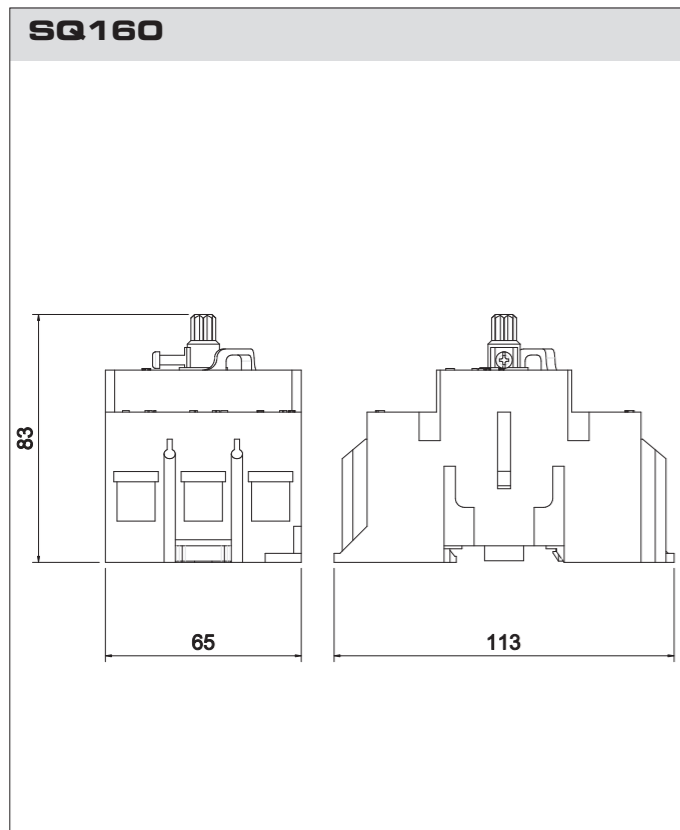
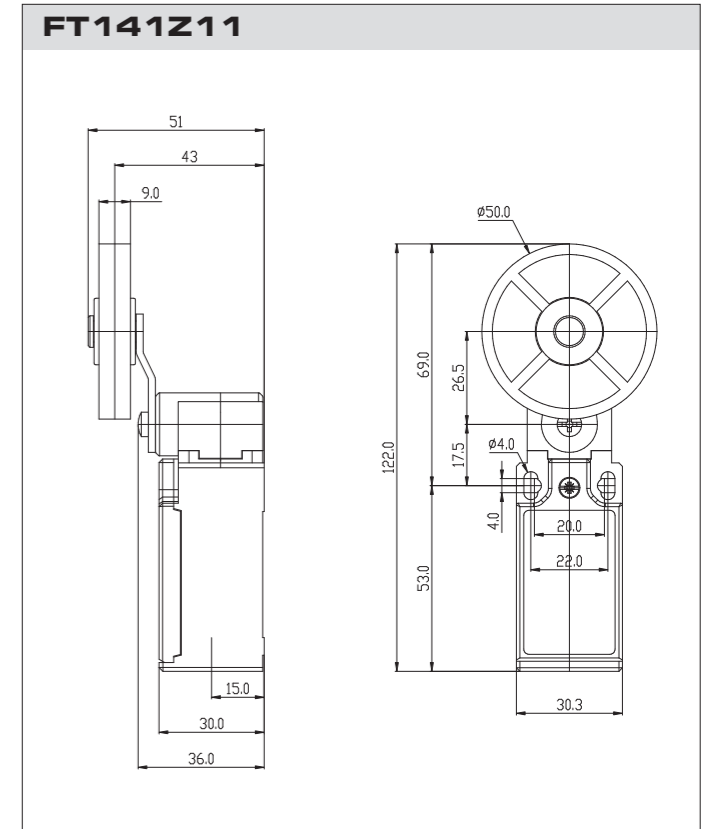
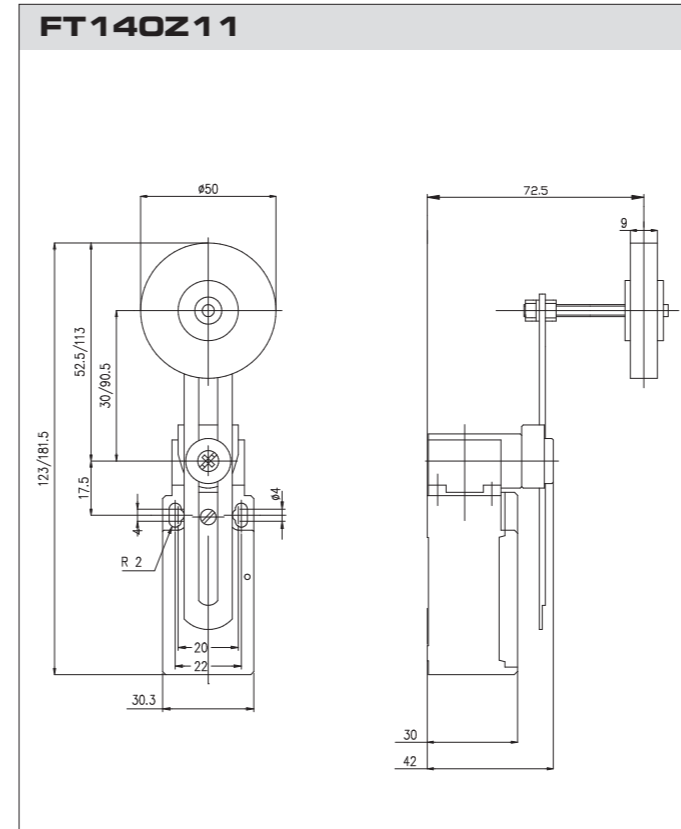
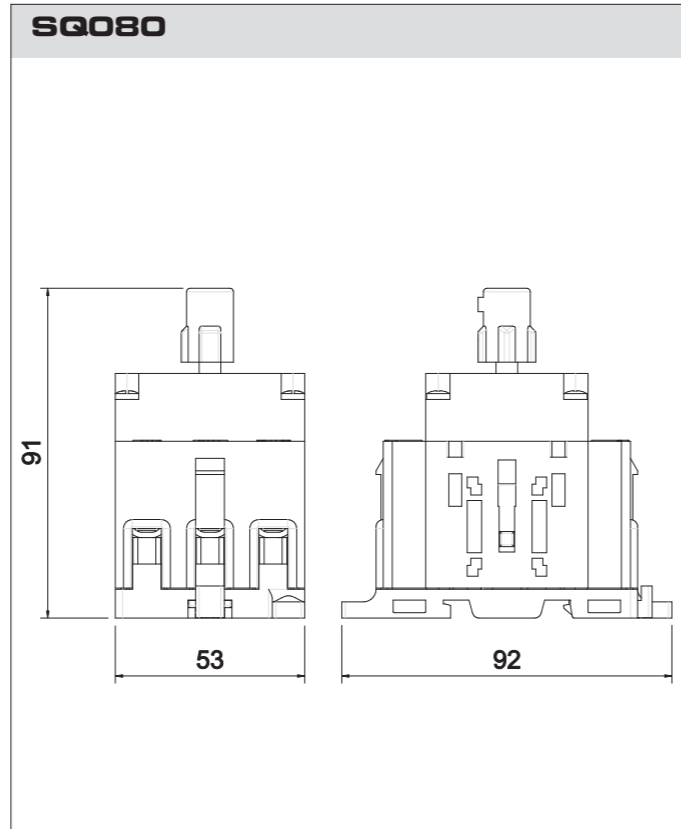
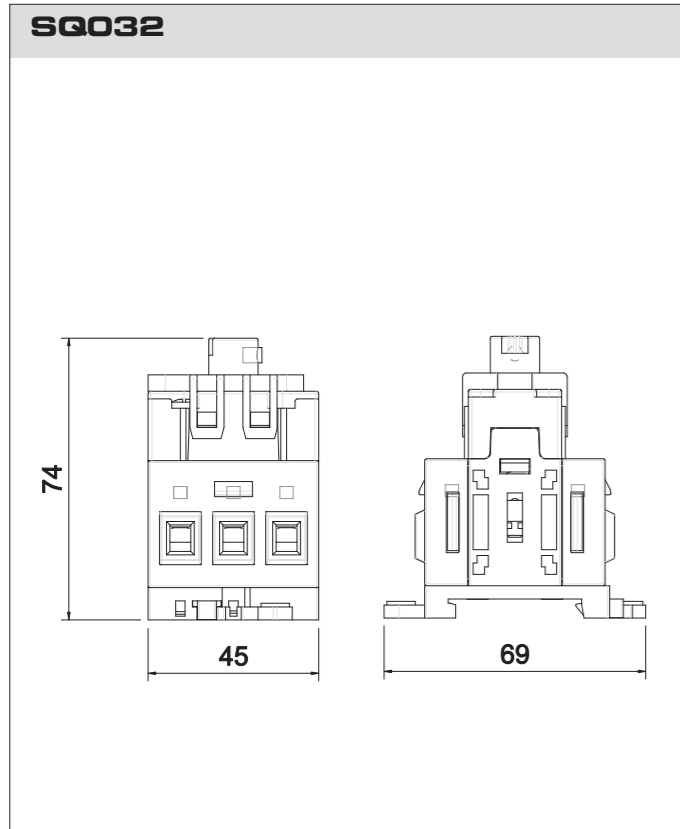
DIMENSIONS - TECHNICAL DRAWINGS GM Series

DIMENSIONS - TECHNICAL DRAWINGS TLP Series



DIMENSIONS - TECHNICAL DRAWINGS TLP Series
Contact blocks







NOTES

Lined area for notes, consisting of multiple horizontal lines for writing.





GIOVENZANA INTERNATIONAL B.V.

1077 XX Amsterdam, The Netherlands
WTC Strawinskylaan 1105
Ph. +31(0) 20.4413576 - Fax +31(0) 20.4413456
e-mail: giovenzana@giovenzana.com

G.M.K. K.f.t.

1068 Budapest, Hungary
Rippl Ronai ut. 13
Ph. +36.37.572575 - Fax +36.37.572570
e-mail: gmk@giovenzana.com

G.T.R. LCC

Moscow, Russian Federation
Ulitsa Radio 24, Yauza Tower 4th floor
Ph. +7.495.6991296 / 6503959 - Fax +7.495.6991520
e-mail: gtr@giovenzana.com

GIOVENZANA CONTROLS INDIA Pvt. Ltd.

Mumbai
Ph. +91.22.42640071
e-mail: ggindia@giovenzana.com

Branch

DUBAI U.A.E. P.O. Box 262146 - J.A.F.Z.A. 15, Jebel Ali Free
Zone
Ph. +971.4.8870788 - Fax +971.4.8870787
e-mail: uae@giovenzana.com